



LED AREA LIGHTS

Delivering a new standard in engineering and superior lighting technology.

 **SATCO**® | **NUVO**®

A NEW STANDARD IN AREA LIGHTING

Our latest LED area lights are engineered to the highest standards for all outdoor area lighting applications!

Built rugged using die cast aluminum and impact resistant lenses, these IP65 fixtures are all-weather tough. Offered in a type III, type IV, type V distribution from 100W-300W, in 4000K & 5000K and in two voltage packages; 120-277V & 277-480V, these area lights are built to meet a vast number of applications.



TYPE III
TYPE IV
TYPE V

The Type III, IV, and V distributions are designed for roadway, parking lots and other environments where a larger area of lighting is required.



A FULL SUITE OF ACCESSORIES

Enhance and optimize your lighting solutions with our full suite of accessories.

Our comprehensive range of accessories such as slip-fitter, universal, yoke, and trunnion mounts, ensure flexibility for installations. Choose from our unique fixed arm or articulating extended slip-fitter mounts, which come with integrated junction boxes featuring sensor knockouts for hassle-free installations. Additionally, we offer a variety of sensors and controls, including photocells, PIR sensors, and microwave sensors, allowing you to customize and automate your lighting system. To address specific needs, we provide cutoff shields to eliminate light trespass and offer an additional 10kV surge protection accessory for added peace of mind.

All area lights come standard with a 2³/₈" slip-fitter mount.



Superior Lighting

100W/150W

LED Area Light
Type III, IV, V

Bronze Powder Coated Finish
for All Weather Durability

0-10V Dimming

Built-In 4kV Surge Protection

IP65 Rated

Operating Temperature
-40C (-40F) to +45C (+113F)

50,000 Hours Life

5 Year Warranty



CERTIFIED

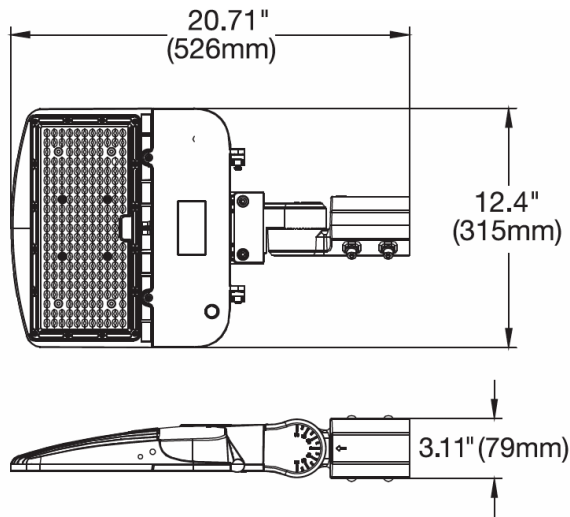




Scan the QR Code
to view the Effective
Projective Area Ratings.



Dimensional



Photocells, Sensors & Surge Suppression Accessories:

- **86-221:** Photocell For 120-277V Versions
- **86-223:** Photocell For 277-480V Versions
- **86-227:** PIR Sensor 120-277V
- **86-228:** MW Sensor 120-277V
- **86-226:** 12-24V PIR Sensor 277-480V
- **86-224:** 10kV Surge Suppressor 120-277V
- **86-225:** 10kV Surge Suppressor 277-480V

[For additional mounting options see page 12]



| TYPE III | TYPE IV | TYPE V | W | V | CCT | EFFICACY | LM | DIMENSIONS |
|----------|----------|----------|------|----------|-------|------------|-------|---------------------------|
| 65-840 | 65-840/4 | 65-840/5 | 100W | 120-277V | 4000K | 137.93 LPW | 13793 | L:20.71" W:12.40" H:3.11" |
| 65-841 | 65-841/4 | 65-841/5 | 100W | 120-277V | 5000K | 137.93 LPW | 13793 | L:20.71" W:12.40" H:3.11" |
| 65-842 | 65-842/4 | 65-842/5 | 150W | 120-277V | 4000K | 130.05 LPW | 19507 | L:20.71" W:12.40" H:3.11" |
| 65-843 | 65-843/4 | 65-843/5 | 150W | 120-277V | 5000K | 131.57 LPW | 19736 | L:20.71" W:12.40" H:3.11" |
| 65-860 | 65-860/4 | 65-860/5 | 100W | 277-480V | 4000K | 137.93 LPW | 13793 | L:20.71" W:12.40" H:3.11" |
| 65-861 | 65-861/4 | 65-861/5 | 100W | 277-480V | 5000K | 137.93 LPW | 13793 | L:20.71" W:12.40" H:3.11" |
| 65-862 | 65-862/4 | 65-862/5 | 150W | 277-480V | 4000K | 130.05 LPW | 19507 | L:20.71" W:12.40" H:3.11" |
| 65-863 | 65-863/4 | 65-863/5 | 150W | 277-480V | 5000K | 131.57 LPW | 19736 | L:20.71" W:12.40" H:3.11" |



Rugged Build

200W

LED Area Light
Type III, IV, V

Bronze Powder Coated Finish
for All Weather Durability

0-10V Dimming

Built-In 4kV Surge Protection

IP65 Rated

Operating Temperature
-40C (-40F) to +45C (+113F)

50,000 Hours Life

5 Year Warranty

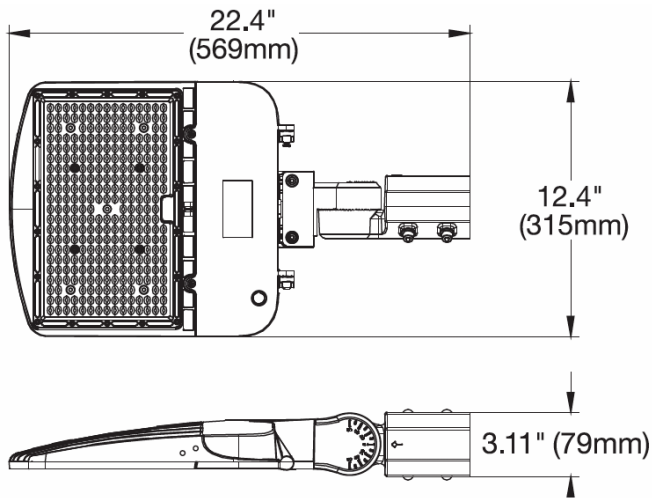


CERTIFIED

Scan the QR Code
to view the Effective
Projective Area Ratings.



Dimensional



Photocells, Sensors & Surge Suppression Accessories:

- **86-221:** Photocell For 120-277V Versions
- **86-223:** Photocell For 277-480V Versions
- **86-227:** PIR Sensor 120-277V
- **86-228:** MW Sensor 120-277V
- **86-226:** 12-24V PIR Sensor 277-480V
- **86-224:** 10kV Surge Suppressor 120-277V
- **86-225:** 10kV Surge Suppressor 277-480V

[For additional mounting options see page 12]



| TYPE III | TYPE IV | TYPE V | W | V | CCT | EFFICACY | LM | DIMENSIONS |
|----------|-----------|-----------|------|----------|-------|------------|-------|---------------------------|
| 65-844 | 65-844/4 | 65-844/5 | 200W | 120-277V | 4000K | 130.26 LPW | 26051 | L:22.40" W:14.40" H:3.11" |
| 65-845 | 65-845/4 | 65-845/5 | 200W | 120-277V | 5000K | 132.68 LPW | 26536 | L:22.40" W:14.40" H:3.11" |
| *65-864 | *65-864/4 | *65-864/5 | 200W | 277-480V | 4000K | 130.26 LPW | 26051 | L:30.28" W:12.39" H:3.11" |
| *65-865 | *65-865/4 | *65-865/5 | 200W | 277-480V | 5000K | 132.68 LPW | 26536 | L:30.28" W:12.39" H:3.11" |

* 277-480V 200W versions have the same footprint as the 240W & 300W to accommodate the larger drivers. See dimensional drawing on page 9.



All-Weather Tough

240W/300W

LED Area Light
Type III, IV, V

Bronze Powder Coated Finish
for All Weather Durability

0-10V Dimming

Built-In 4kV Surge Protection

IP65 Rated

Operating Temperature
-40C (-40F) to +45C (+113F)

50,000 Hours Life

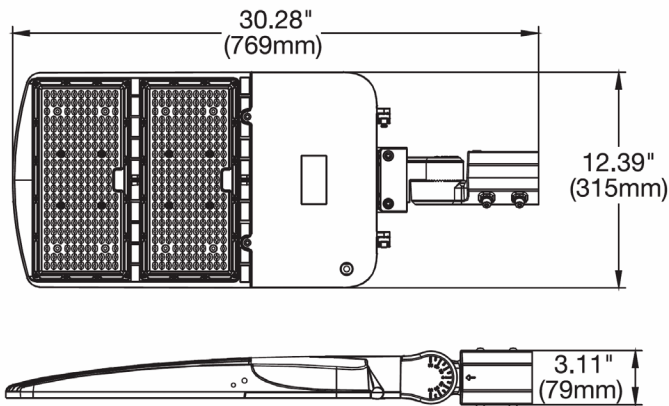
5 Year Warranty



Scan the QR Code
to view the Effective
Projective Area Ratings.



Dimensional



Photocells, Sensors & Surge Suppression Accessories:

- **86-221:** Photocell For 120-277V Versions
- **86-223:** Photocell For 277-480V Versions
- **86-227:** PIR Sensor 120-277V
- **86-228:** MW Sensor 120-277V
- **86-226:** 12-24V PIR Sensor 277-480V
- **86-224:** 10kV Surge Suppressor 120-277V
- **86-225:** 10kV Surge Suppressor 277-480V

[For additional mounting options see page 12]



| TYPE III | TYPE IV | TYPE V | W | V | CCT | EFFICACY | LM | DIMENSIONS |
|----------|----------|----------|------|----------|-------|------------|-------|---------------------------|
| 65-846 | 65-846/4 | 65-846/5 | 240W | 120-277V | 4000K | 131.17 LPW | 31481 | L:30.28" W:12.39" H:3.11" |
| 65-847 | 65-847/4 | 65-847/5 | 240W | 120-277V | 5000K | 135.77 LPW | 32585 | L:30.28" W:12.39" H:3.11" |
| 65-848 | 65-848/4 | 65-848/5 | 300W | 120-277V | 4000K | 132.72 LPW | 39815 | L:30.28" W:12.39" H:3.11" |
| 65-849 | 65-849/4 | 65-849/5 | 300W | 120-277V | 5000K | 129.96 LPW | 38988 | L:30.28" W:12.39" H:3.11" |
| 65-866 | 65-866/4 | 65-866/5 | 240W | 277-480V | 4000K | 131.17 LPW | 31481 | L:30.28" W:12.39" H:3.11" |
| 65-867 | 65-867/4 | 65-867/5 | 240W | 277-480V | 5000K | 135.77 LPW | 32585 | L:30.28" W:12.39" H:3.11" |
| 65-868 | 65-868/4 | 65-868/5 | 300W | 277-480V | 4000K | 132.72 LPW | 39815 | L:30.28" W:12.39" H:3.11" |
| 65-869 | 65-869/4 | 65-869/5 | 300W | 277-480V | 5000K | 129.96 LPW | 38988 | L:30.28" W:12.39" H:3.11" |



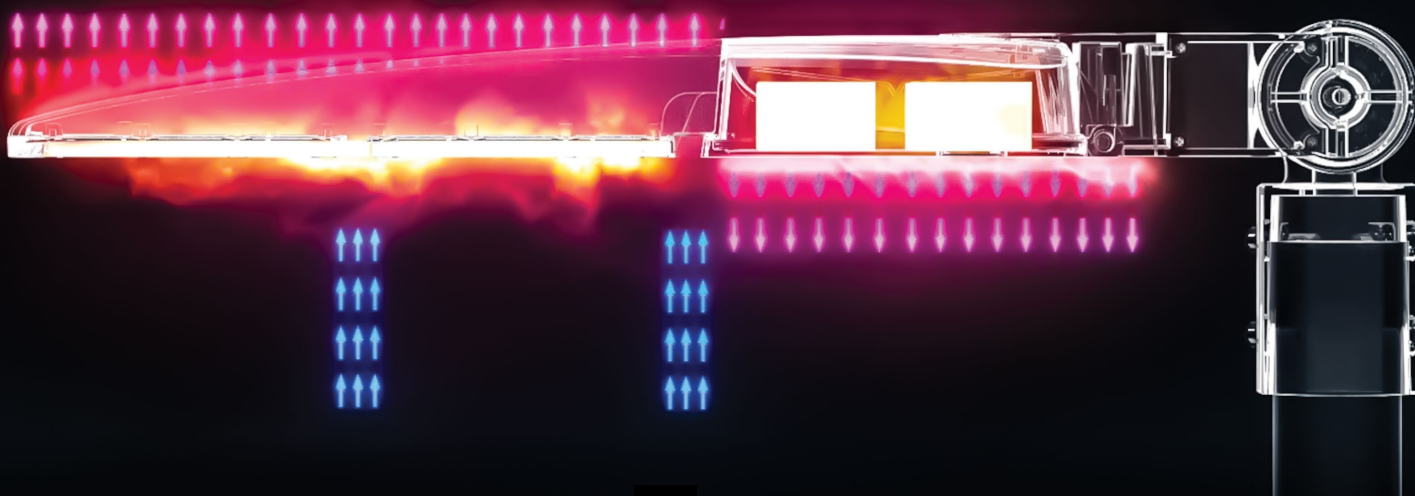
Lumiled 2835R Chips & Advanced Optics for Superior Performance

Features

High-performance meets rugged, all-weather toughness in the design of these fixtures. They are constructed using high-quality materials such as Lumileds chips and Sosen drivers, ensuring durability and longevity. The design prioritizes advanced thermal consideration and heat dissipation, with integrated respirators to balance air pressure, integrated 4kV surge protection, and seismically tested for 3G vibrations.

To meet the requirements of various applications, these fixtures offer a comprehensive range of mounting accessories. They include innovative extended slip-fitter and fixed arm mounts with integrated junction boxes, as well as photocells, PIR & MW sensors, additional add-on surge suppression, and cutoff shields. With this versatile selection, these fixtures are suitable for any type III, type IV, or type V application, ensuring they can meet the specific needs of any project.

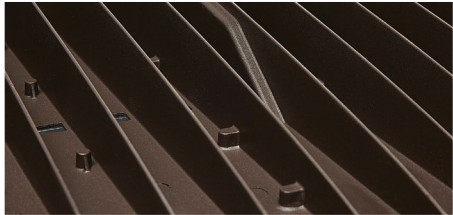
Advancedly engineered for maximum thermal dissipation to ensure long lasting life and performance.





Integrated Respirator

Integrated respirators help to balance air pressure and prevent humidity build-up.



Passive Heat-Sink

Finned, Heat-Sink Design allows for better performance and heat dissipation.



Sensor Drill-Out

Fixtures are designed with a designated drill-out for simple sensor installations.



Adjustable Mounting

An adjustable 2 3/8" slip-fitter mount comes standard with all units, allowing for up to 90° vertical articulation.



Add-On Photocells

All fixtures come standard with a removable cover plate for a simple photocell installation.

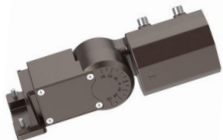
**BUILT TOUGH WITH DIE-CAST CONSTRUCTION & HEAVY-DUTY
HARDWARE TO WITHSTAND HARSH OUTDOOR ENVIRONMENTS**



Mounting Options & Accessories

A comprehensive range of mounting accessories and add-on sensors are available to meet all mounting requirements.

All fixtures include 2 3/8" Slip-Fitter Standard.



Extended Slip-Fitter Mount
with Sensor Knockouts
65-875



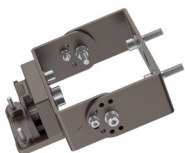
Universal Mount with 2 3/8"
Slip-Fitter Mount or Direct Mount
for Square & round Poles
65-870



Direct Mount for
Square & Round Poles.
65-871



Wall Mount Bracket
65-879



Trunnion
65-872



Yoke
65-873 & 65-874



*Cutoff Shield
65-877 & 65-878

100W &
150W



200W



*200W 277-480V have the same footprint as the 240W & 300W versions to accommodate the larger drivers.

240W &
300W



*2 Cutoff Shields Are Recommended for Double Panel Array Versions. (For more information on dimensions see page 14)

Slip-fitter & Fixed Arm Mounts with Integrated Junction Boxes & Knockouts

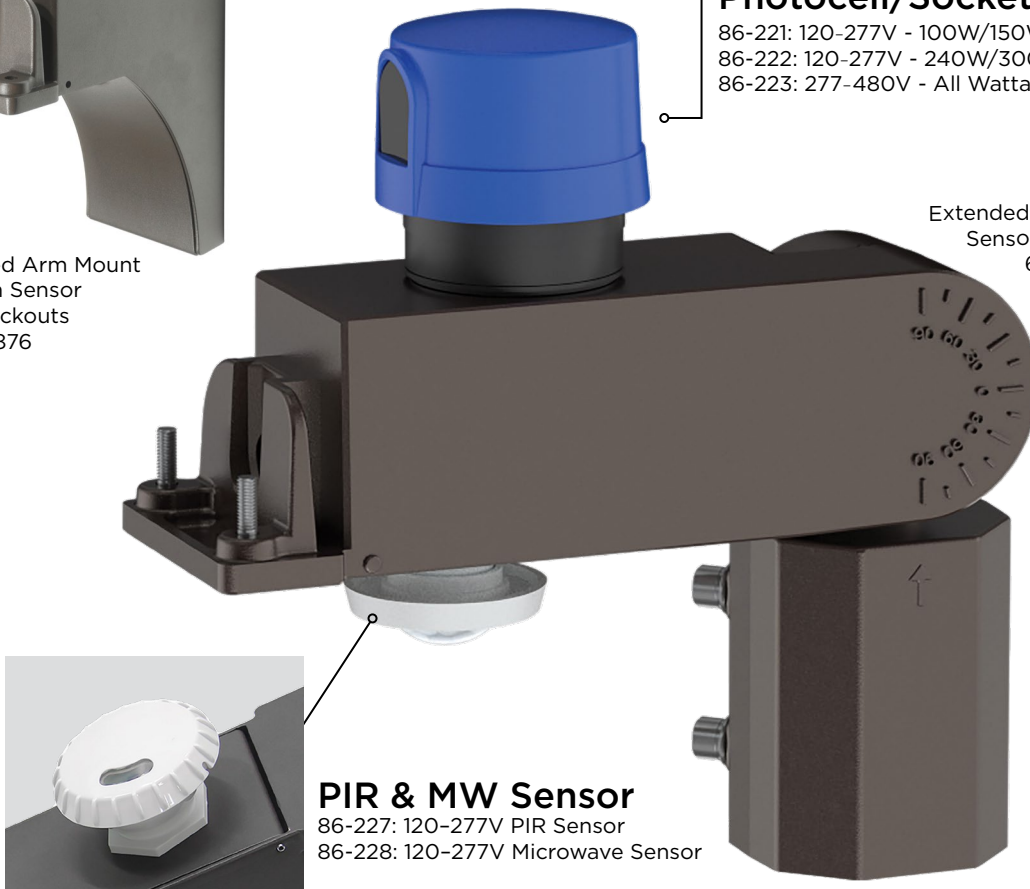


Fixed Arm Mount
with Sensor
Knockouts
65-876

Photocell/Socket

86-221: 120-277V - 100W/150W/200W
86-222: 120-277V - 240W/300W
86-223: 277-480V - All Wattages

Extended Slip-Fitter with
Sensor Knockouts
65-875



PIR & MW Sensor

86-227: 120-277V PIR Sensor
86-228: 120-277V Microwave Sensor

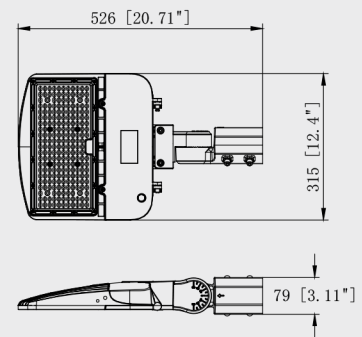
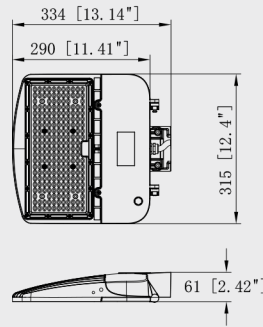
| ITEM # | DESCRIPTION | FEATURE | PK |
|--------|-----------------------|--|-----|
| 65-870 | UNIVERSAL MOUNT | DIRECT & SLIP-FITTER MOUNT BRONZE | 8 |
| 65-871 | DIRECT MOUNT | SQUARE/ROUND POLE MOUNT BRONZE | 8 |
| 65-872 | TRUNNION MOUNT | BRONZE FINISH | 8 |
| 65-873 | YOKE MOUNT | 100W/150W/200W BRONZE | 8 |
| 65-874 | YOKE MOUNT | 240W/300W BRONZE | 8 |
| 65-875 | EXTENSION SLIP-FITTER | WITH SENSOR KNOCKOUTS BRONZE | 8 |
| 65-876 | FIXED ARM MOUNT | WITH SENSOR KNOCKOUTS BRONZE | 8 |
| 65-877 | CUTOFF SHIELD | BRONZE - 100W/150W/240W/300W & 200W 277-480V | 8 |
| 65-878 | CUTOFF SHIELD | BRONZE - 200W 120-277V | 8 |
| 65-879 | WALL MOUNT BRACKET | BRONZE FINISH | 8 |
| 86-221 | PHOTOCELL/SOCKET | 120-277V FOR 100W/200W | 50 |
| 86-222 | PHOTOCELL/SOCKET | 120-277V FOR 240W/300W | 50 |
| 86-223 | PHOTOCELL/SOCKET | 277-480V | 50 |
| 86-224 | SURGE SUPPRESSOR | 10kV - 120-277V | 100 |
| 86-225 | SURGE SUPPRESSOR | 10kV - 277-480V | 100 |
| 86-226 | 12-24V PIR SENSOR | 277-480V | 50 |
| 86-227 | PIR SENSOR | 120-277V | 50 |
| 86-228 | MICROWAVE SENSOR | 120-277V | 50 |

Product Dimensions with Alternate Mounting Options

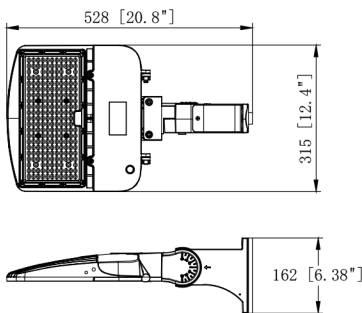
100W & 150W

A full assortment of mounting accessories to meet any applications needs.

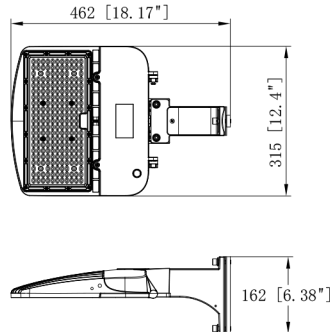
2 3/8" Slip-Fitter (Included)



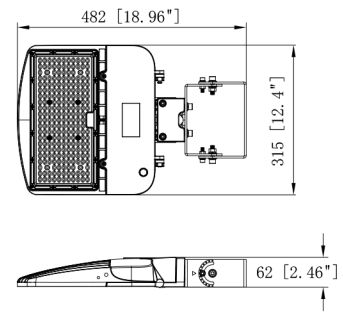
65-870 Universal Mount



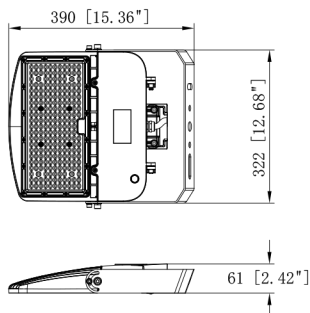
65-871 Direct Mount



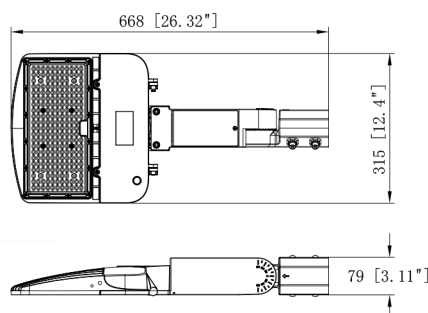
65-872 Trunnion Mount



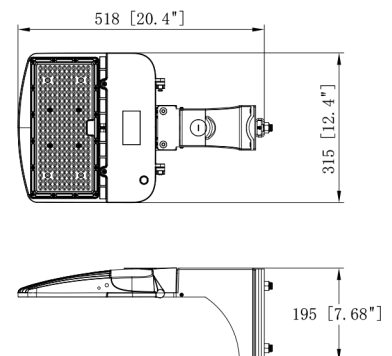
65-873 Yoke Mount



65-875 Extended 2 3/8" Slip-Fitter with knockouts and integrated junction box.



65-876 Fixed Arm Mount with Knockouts and integrated junction box.



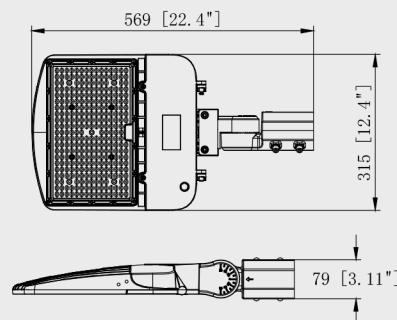
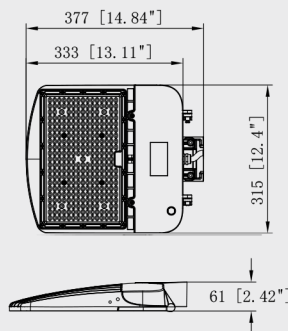
Product Dimensions Continued

200W

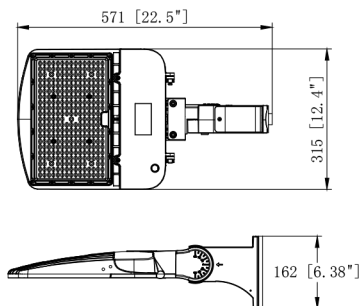
Innovative mounting accessories with Knockouts & Integrated Junction Boxes for Greater Ease Of Installation.

*200W 277-480V have the same footprint as the 240W & 300W Versions to accommodate the larger drivers.

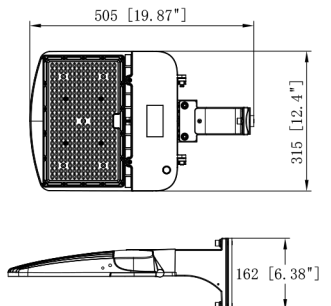
2 3/8" Slip-Fitter (Included)



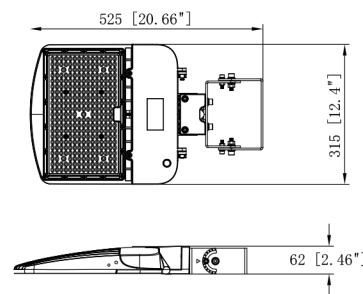
65-870 Universal Mount



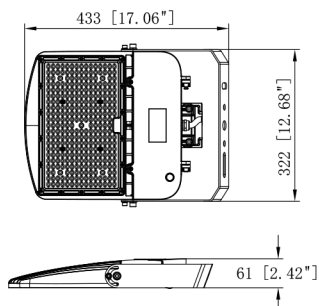
65-871 Direct Mount



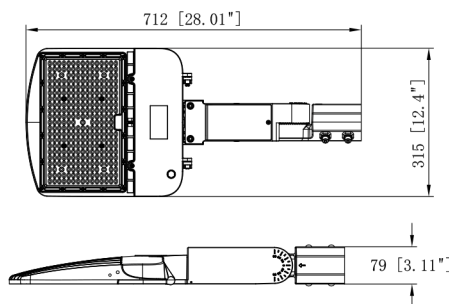
65-872 Trunnion Mount



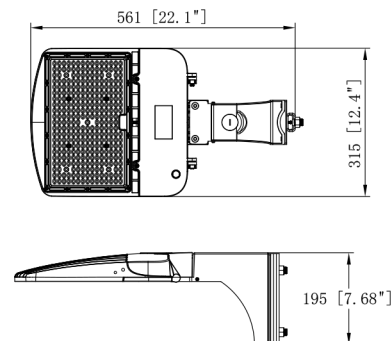
65-873 Yoke Mount



65-875 Extended 2 3/8" Slip-Fitter with knockouts and integrated junction box.



65-876 Fixed Arm Mount with Knockouts and integrated junction box.



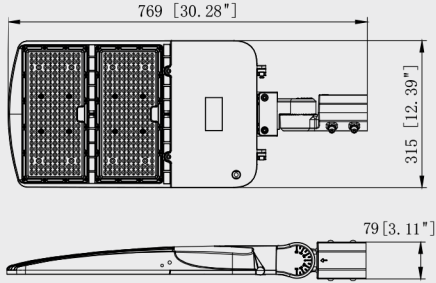
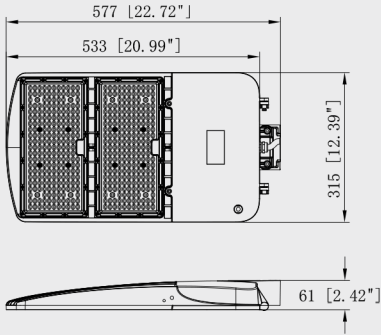
Product Dimensions Continued

240W & 300W

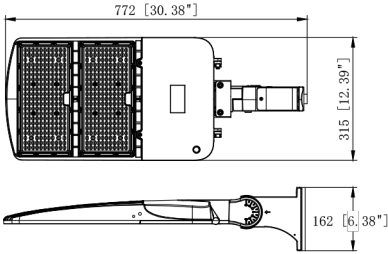
(Also 200W 277V-480V)

Cutoff shields are also available to eliminate light trespass.

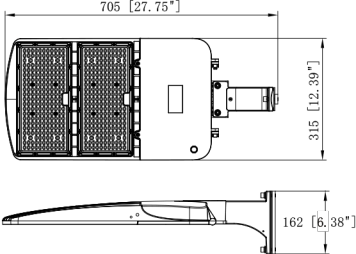
2 3/8" Slip-Fitter (Included)



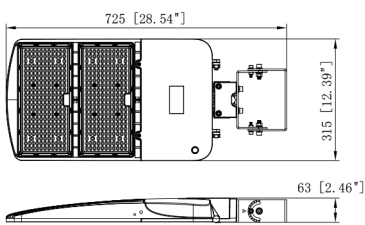
65-870
Universal Mount



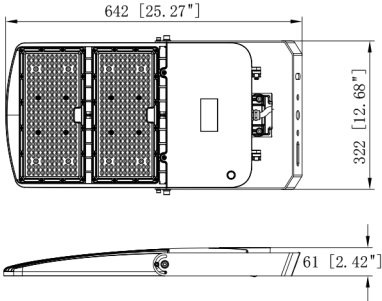
65-871
Direct Mount



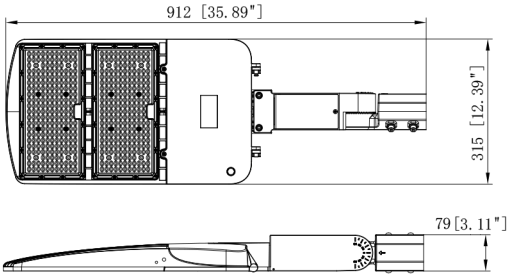
65-872
Trunnion Mount



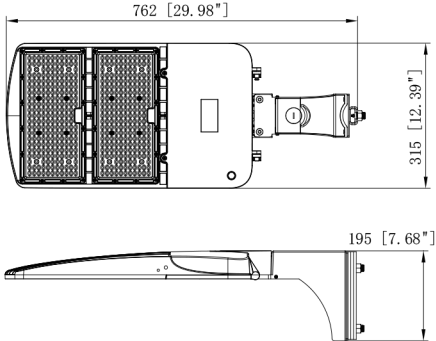
65-874
Yoke Mount



65-875
Extended 2 3/8" Slip-Fitter with knockouts and integrated junction box.



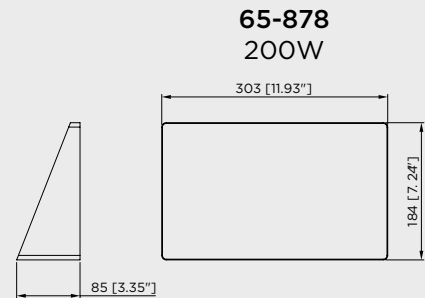
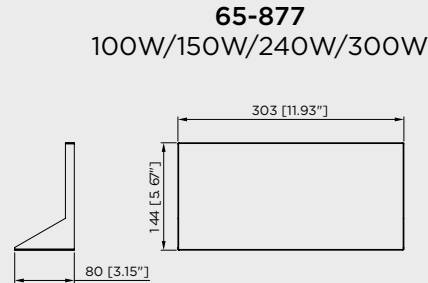
65-876
Fixed Arm Mount with Knockouts and integrated junction box.



Product Accessory Dimensions

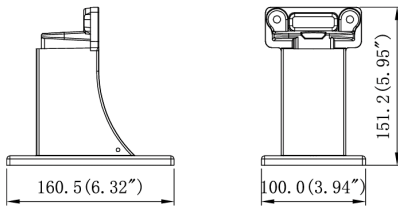
Cut-Off Shield

- **65-877** for 100W/150W/240W/300W and 200W 277-480V versions.
- **65-878** for use with 200W 120-277V version.

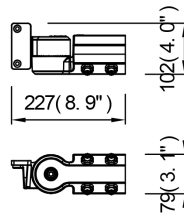


Mounts

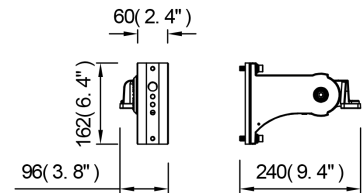
65-879
Wall Mount



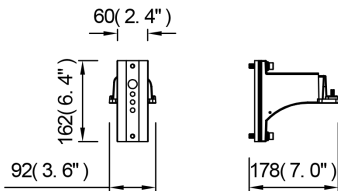
Included 2 3/8" Slip-Fitter



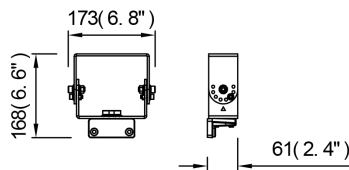
65-870
Universal Mount



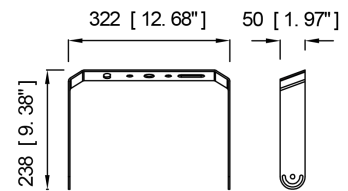
65-871
Direct Mount



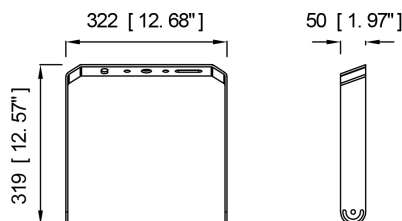
65-872
Trunnion Mount



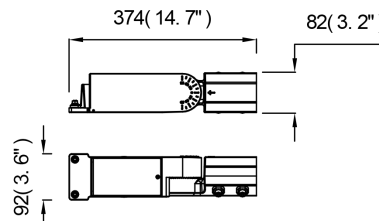
65-873 Yoke Mount
for use with 100W/150W/200W



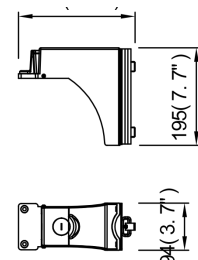
65-874 Yoke Mount
for use with 240W/300W



65-875
Extended 2 3/8" Slip-Fitter with knockouts and integrated junction box.



65-876
Fixed Arm Mount with Knockouts and integrated junction box.





A SINGLE SOURCE FOR YOUR LIGHTING NEEDS

We answer today's evolving lighting needs with thousands of products that offer energy efficiency, high quality illumination, value, safety and solutions through innovation and design.

SATCO manufactures thousands of lighting solutions.

With products that range from LED lamps and fixtures to traditional lighting and components, stocked at the ready throughout North America, we supply the market.



DISTRIBUTION CENTERS

New York (Headquarters)

110 Heartland Blvd., Brentwood, NY 11717
Tel. 631-243-2022, Fax: 631-243-2027

Texas

2000 Valwood Parkway, Farmers Branch, TX 75234
Tel. 972-247-2437, Fax: 972-247-5408

Florida

1694 NW 215TH Street Miami Gardens, FL 33056
Tel. 305-624-2044, Fax: 305-623-0286

California

31288 San Benito Street, Hayward, CA 94544
Tel. 510-487-4822, Fax: 510-487-8955

Washington

4710 116th S.W., Mukilteo, WA 98275
Tel. 425-789-3300, Fax: 425-789-3310

Puerto Rico

Campech Street. 23 Julio
N. Matos Industrial Park, Carolina, PR 00984
Tel. 787-757-3510, Fax: 787-757-3540

Canada & Mexico

InternationalSales@satco.com/631-243-2022 EXT315