



BLINK® PRO

SURFACE MOUNTED LED DOWNLIGHT

5" | 7" | 9" MODELS



REDUCED HEIGHT / CURVED PROFILE / CHAMFERED BEZEL

DESIGNER DIE-CAST CONSTRUCTION

5 CCT SELECTABLE

ENHANCED DRIVER FILTERING

BUILT-IN SURGE PROTECTION

QUICK INSTALL MOUNTING BRACKET

ENERGY STAR®

SUGGESTED APPLICATIONS:

- Residential Bathrooms
- Closets
- Bedrooms
- Hallways

SETTING THE STANDARD IN PROFESSIONAL LIGHTING

Form follows function in almost all rules of design. From designer aesthetics to “state-of-the-art” technology, Blink® embodies this concept entirely. Contemporary yet familiar, Blink is a versatile offering, suitable for nearly every environment. Encompassed in the sophisticated driver platform, advanced line conditioners and EMI filters ensure smooth even light distribution and dimming. The chamfered bezel edge, gracefully melds to the surface creating a sleek and low profile look.



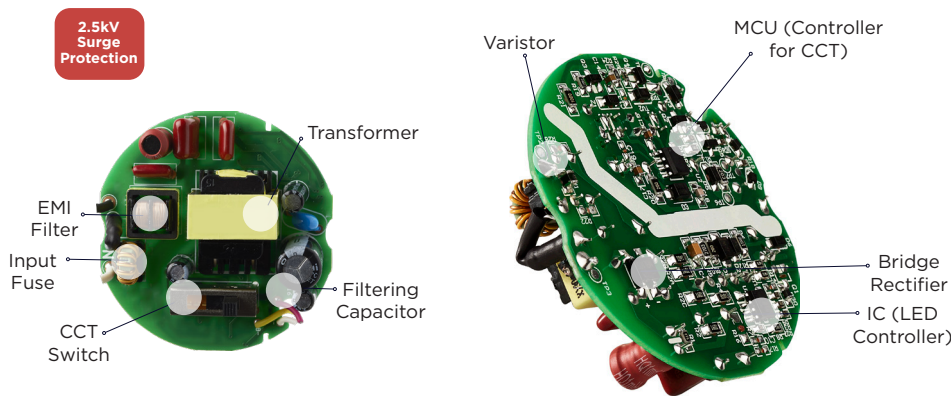
THE DIFFERENCE IS IN THE DRIVER

While DOB (driver on board) flush mount fixtures may be an option, they don't offer the same level of performance, efficiency, and longevity as an external driver.

Blink's external drivers boast advanced componentry that better regulate the electricity flowing to the LED Chips, preventing electrical interference, overloading, and overheating. This extends the lifespan of our fixtures, setting them apart from DOB products that tend to experience premature driver failure and flickering due to inadequate filtering componentry. Furthermore, our external drivers are designed to match the precise needs of our LED fixtures, resulting in superior efficiency. Plus, the added componentry delivers improved dimming capabilities, which simply isn't possible to achieve with DOB designs due to limited spaces.

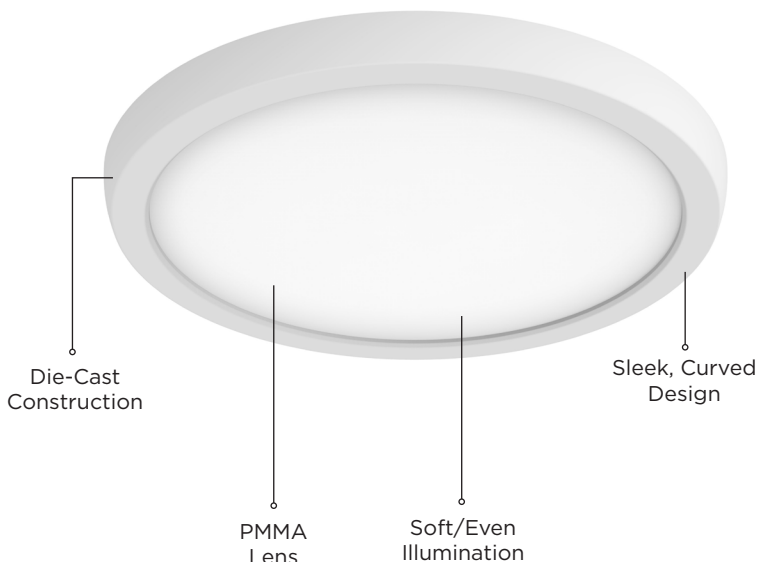
Driver Fits Most 3" & 4" J Box Installations with a Minimum Interior Cubic Volume of 14"

**See measurement table for exact driver dimensions.*



DRIVER SPECIFICATIONS

- Robust External Driver Design
- 2.5 kV Surge Protection/Fused
- EMI Filter
- Inline Filter
- Varistor for Smooth Triac dimming
- CCT Selectable



Blink® Pro 5", 7", and 9" Available Finishes:
White | Black | Bronze | Brushed Nickel



GENERAL SPECIFICATIONS - 120V MODEL

Input Voltage, Frequency: 120V, 60Hz
Power Factor, THD%: 0.9, <20%
CCT: 2700K/3000K/3500K/4000K/5000K
CRI: 90
Functional Life: 50,000 Hours
Location Rating: Wet (Indoor Only)

Ambient Operating Temperature: -20°C (-4°F) to +40°C (+104°F)
Suitable for Bathroom Applications: Yes
Dimmable: Yes, Triac

DRIVER SPECIFICATIONS

Robust External Driver Design
 2.5 kV Surge Protection/Fused
 EMI Filter
 Inline Filter
 Varistor for Smooth Triac Dimming
 CCT Selectable

PERMITTED ZERO CLEARANCE FROM STORAGE MATERIAL



Complies with NEC 410.16(A)(3) & NEC 410.16(C)(5) Certified under UL 1598, suitable for clothes closet installation.

✓ = 5" & 7" Comply for Zero Clearance Applications

9" Consult NEC Code for Dimensional Parameters for installation in clothes closets.

ITEM SPECIFICATIONS / ORDER INFO



Item	Size	Shape	Finish	Watts	Lumens	Efficacy (Up to LPW)	Input Current @ 120	Closet Rated	UPC
62/1700	5"	Round	White	9W	700-780lm	86.67	0.075A	✓	045923624940
62/1701	5"	Round	Black	9W	650-680lm	75.56	0.075A	✓	045923624957
62/1702	5"	Round	Bronze	9W	650-680lm	75.56	0.075A	✓	045923624964
62/1703	5"	Round	Br. Nickel	9W	650-680lm	75.56	0.075A	✓	045923624971
62/1710	7"	Round	White	11W	980-1050lm	95.45	0.092A	✓	045923625206
62/1711	7"	Round	Black	11W	900-950lm	86.36	0.092A	✓	045923625305
62/1712	7"	Round	Bronze	11W	900-950lm	86.36	0.092A	✓	045923625343
62/1713	7"	Round	Br. Nickel	11W	900-950lm	86.36	0.092A	✓	045923625350
62/1720	9"	Round	White	13W	1300-1320lm	101.54	0.108A	*	045923625404
62/1721	9"	Round	Black	13W	1200-1250lm	96.15	0.108A	*	045923625725
62/1722	9"	Round	Bronze	13W	1200-1250lm	96.15	0.108A	*	045923625732
62/1723	9"	Round	Br. Nickel	13W	1200-1250lm	96.15	0.108A	*	045923625749
62/1704	5"	Square	White	9W	680-730lm	81.11	0.075A	✓	045923624988
62/1705	5"	Square	Black	9W	600-680lm	75.56	0.075A	✓	045923624995
62/1706	5"	Square	Bronze	9W	600-680lm	75.56	0.075A	✓	045923625008
62/1707	5"	Square	Br. Nickel	9W	600-680lm	75.56	0.075A	✓	045923625107
62/1714	7"	Square	White	11W	940-1000lm	90.91	0.092A	✓	045923625367
62/1715	7"	Square	Black	11W	800-850lm	77.27	0.092A	✓	045923625374
62/1716	7"	Square	Bronze	11W	800-850lm	77.27	0.092A	✓	045923625381
62/1717	7"	Square	Br. Nickel	11W	800-850lm	77.27	0.092A	✓	045923625398
62/1724	9"	Square	White	13W	1200-1300lm	100.00	0.108A	*	045923625756
62/1725	9"	Square	Black	13W	1032-1150lm	88.46	0.108A	*	045923625763
62/1726	9"	Square	Bronze	13W	1032-1150lm	88.46	0.108A	*	045923625770
62/1727	9"	Square	Br. Nickel	13W	1032-1150lm	88.46	0.108A	*	045923625787

* Consult NEC Code for Dimensional Parameters for installation in clothes closets.

This device complies with Part 15 of the FCC Rules. Operation is subject to the following two conditions: (1) this device may not cause harmful interference, and (2) this device must accept any interference received, including interference that may cause undesired operation. Fixture may not be compatible with all dimmers.

Specifications are subject to change without prior notice.

GENERAL SPECIFICATIONS - 120/277V MODEL

Input Voltage, Frequency: 120/277V, 60Hz
Power Factor, THD%: 0.9, <20%
CRI: 90
Functional Life: 50,000 Hours
Location Rating: Wet (Indoor Only)

Ambient Operating Temperature:
 -20°C (-4°F) to +40°C (+104°F)
Suitable for Bathroom Applications: Yes
Dimmable: Yes, 0-10V

DRIVER SPECIFICATIONS

Robust External Driver Design
 2.5 kV Surge Protection/Fused
 EMI Filter
 Inline Filter
 Varistor for Smooth Dimming

ITEM SPECIFICATIONS / ORDER INFO



Item	Size	Shape	Finish	Watts	Lumens	CCT	Efficacy (LPW)	Input Current @ 120 / 277V	Closet Rated	UPC
62/1718	7"	Round	White	11W	980lm	3000K	89.09	0.092/0.040A	*	045923625794
62/1719	7"	Square	White	11W	940lm	3000K	92.31	0.092/0.040A	*	045923625800
62/1728	9"	Round	White	13W	1300lm	3000K	92.31	0.108/0.047A	*	045923625602
62/1729	9"	Square	White	13W	1200lm	3000K	92.31	0.108/0.047A	*	045923625701
62/1733	7"	Round	White	12.5W	980lm	4000K	78.40	0.104/0.045A	*	045923627378
62/1734	7"	Square	White	12.5W	940lm	4000K	75.20	0.104/0.045A	*	045923627385
62/1743	9"	Round	White	17W	1300lm	4000K	76.47	0.142/0.061A	*	045923627392
62/1744	9"	Square	White	17W	1200lm	4000K	70.59	0.142/0.061A	*	045923627408

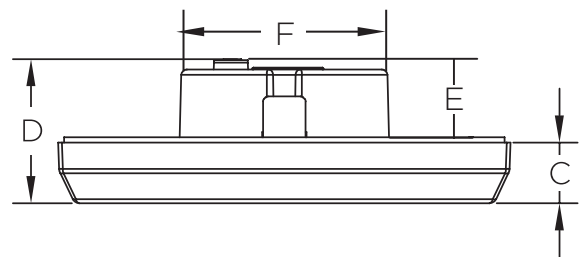
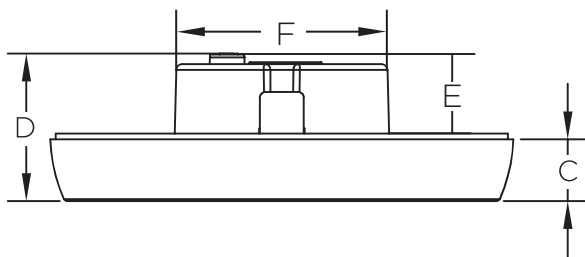
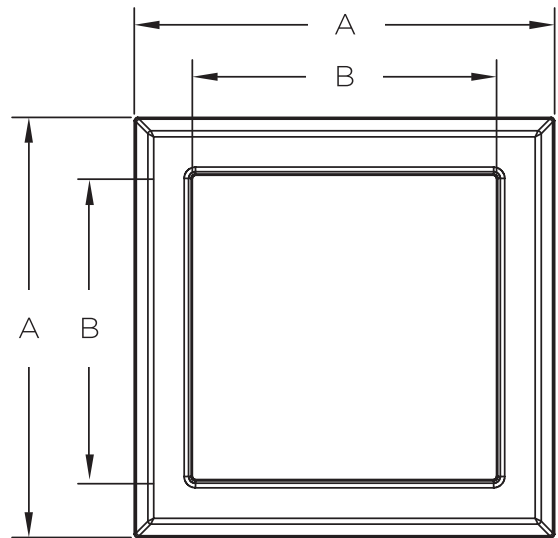
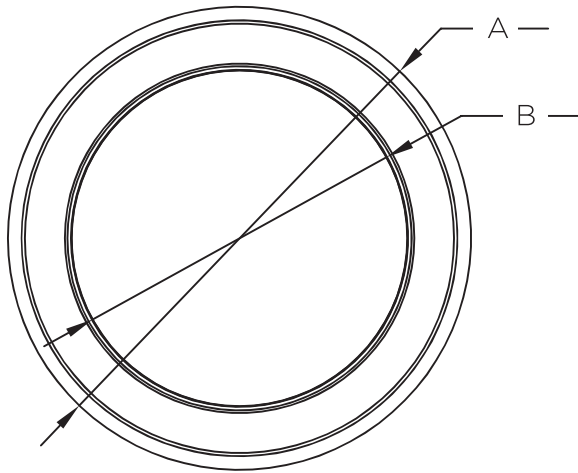
* Consult NEC Code for Dimensional Parameters for installation in clothes closets.

This device complies with Part 15 of the FCC Rules. Operation is subject to the following two conditions: (1) this device may not cause harmful interference, and (2) this device must accept any interference received, including interference that may cause undesired operation. Fixture may not be compatible with all dimmers.

Specifications are subject to change without prior notice.

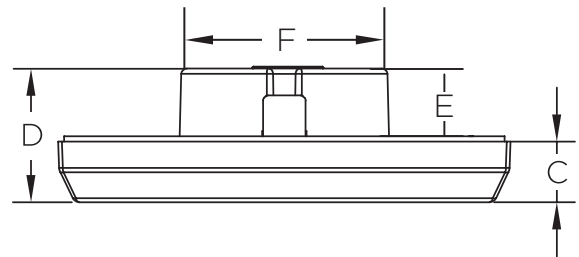
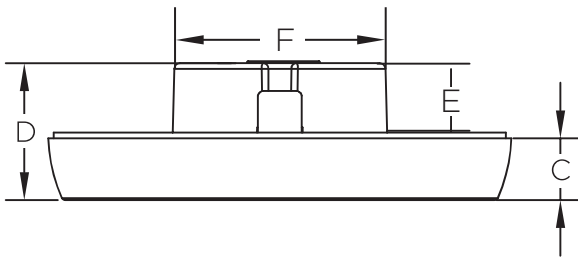
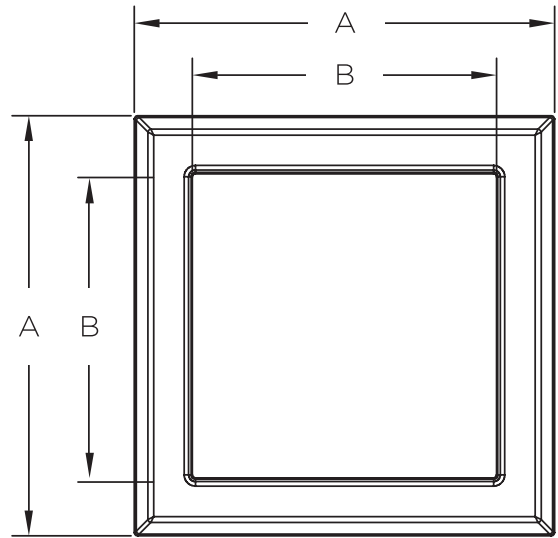
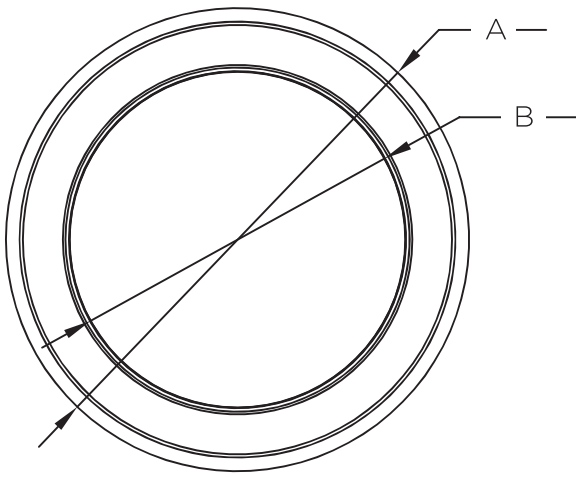
DIMENSIONS - 120V MODELS

(A) Diameter/ Length	(B) Inside Diameter/Length	(C) Trim Height	(D) Overall Height	(E) Driver Height	(F) Driver Diameter
5" Round	3.62"	0.67"	1.59"	.92"	2.36"
7" Round	5.62"	0.67"	1.59"	.92"	2.36"
9" Round	7.62"	0.67"	1.59"	.92"	2.36"
5" Square	3.62"	0.67"	1.59"	.92"	2.36"
7" Square	5.62"	0.67"	1.59"	.92"	2.36"
9" Square	7.62"	0.67"	1.59"	.92"	2.36"



DIMENSIONS - 120/277V MODELS

(A) Diameter/ Length	(B) Inside Diameter/Length	(C) Trim Height	(D) Overall Height	(E) Driver Height	(F) Driver Diameter
7" Round	5.62"	0.67"	1.50"	.83"	2.36"
9" Round	7.62"	0.67"	1.50"	.83"	2.36"
7" Square	5.62"	0.67"	1.50"	.83"	2.36"
9" Square	7.62"	0.67"	1.50"	.83"	2.36"



OPTIONAL EXTENSION COLLAR / ORDER INFO

Item	Size	Finish	Shape	UPC	Pk QTY
25-1700	5"	White	Round	045923253812	1
25-1701	5"	Black	Round	045923253829	1
25-1702	5"	Bronze	Round	045923253836	1
25-1710	7"	White	Round	045923253874	1
25-1711	7"	Black	Round	045923253881	1
25-1712	7"	Bronze	Round	045923253898	1
25-1720	9"	White	Round	045923253935	1
25-1721	9"	Black	Round	045923253942	1
25-1722	9"	Bronze	Round	045923253959	1
25-1704	5"	White	Square	045923253843	1
25-1705	5"	Black	Square	045923253850	1
25-1706	5"	Bronze	Square	045923253867	1
25-1714	7"	White	Square	045923253904	1
25-1715	7"	Black	Square	045923219153	1
25-1716	7"	Bronze	Square	045923219146	1
25-1724	9"	White	Square	045923253966	1
25-1725	9"	Black	Square	045923253973	1
25-1726	9"	Bronze	Square	045923253980	1

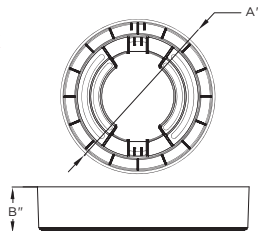
Extension Collar for Tight Installations



Driver Fits Most 3" & 4" J Box Installations with a Minimum Interior Cubic Volume of 14" -- for tighter installations use extension collar accessories

DIMENSIONS - ROUND COLLAR

(A) Diameter	(B) Trim Height
5.07"	1.10"
7.07"	1.16"
9.07"	1.16"

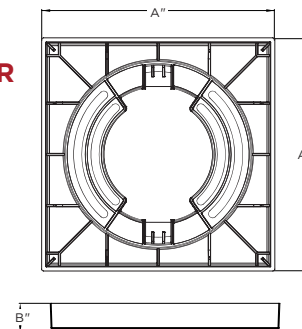


Mix and Match Trims for An Artistic Look

Extension Collars come in White, Black, and Bronze Finishes.

DIMENSIONS - SQUARE COLLAR

(A) Trim Length	(B) Trim Height
5.07"	1.10"
7.07"	1.16"
9.07"	1.16"



This device complies with Part 15 of the FCC Rules. Operation is subject to the following two conditions: (1) this device may not cause harmful interference, and (2) this device must accept any interference received, including interference that may cause undesired operation. Fixture may not be compatible with all dimmers.

Specifications are subject to change without prior notice.