

# LED EMERGENCY LIGHT

## BATTERY BACKUP



**TWO ADJUSTABLE  
LIGHT HEADS**

**CEILING OR WALL MOUNTING,  
ACCESSORIES INCLUDED**

**5VA FLAME RETARDANT  
ABS HOUSING**

**90 MINUTE BATTERY  
BACKUP RUN TIME**

**TEST SWITCH AND  
AC SUPPLY INDICATOR**

### **SUGGESTED APPLICATIONS**

Commercial & Industrial,  
Garages, Retail,  
Schools, Hospitals

Introducing the SATCO|NUVO's LED Emergency Lights with Battery Backup - your ultimate solution for reliable emergency lighting. With two styles to choose from, these high-performance fixtures boast adjustable heads and offers ceiling or wall mounting options, making them perfect for a range of applications. Remote capable models allow for the addition of two single or one double remote head. Constructed from a 5VA flame-retardant ABS housing, these lights are built to withstand emergency situations. All models and remote heads are UL certified and compliant with OSHA and NFPA standards. With a 90-minute battery backup run time, you can trust these fixtures to provide reliable illumination when you need it most. Plus, the battery push-to-test button and AC supply indicator, ensure easy maintenance and peace of mind. Don't settle for subpar emergency lighting - upgrade to the SATCO|NUVO LED Emergency Lights for your emergency lighting needs.



**GENERAL SPECIFICATIONS**

**Input Voltage, Frequency:** 120/277V, 50/60Hz  
**Emergency Backup:** Yes  
**Emergency Duration/Run Time:** 90 Minutes  
**Recharge Time:** 24 Hours  
**Battery Push to Test Button:** Yes  
**Battery Type:** Ni-Cad 3.6V  
**Recycle Time:** >500  
**CCT:** 5700  
**Construction:** Thermoplastic ABS

**Finish/Color:** White  
**Mounting Options:** Ceiling and Wall  
**Mounting Height:** 7.5 Ft/10 Ft  
**Center to Center Spacing:** 25 Ft/24 Ft  
**Path of Egress:** 6 Ft  
**Location Rating:** Damp  
**Ambient Operating Temperature:** 10°C (50°F) to 40°C (104°F)  
**Warranty:** 2 Years



**ITEM SPECIFICATIONS/ORDER INFO**

| Item   | UPC          | Style  | Watts | Input Current @120V/277V | Lumens | Remote Capable |
|--------|--------------|--------|-------|--------------------------|--------|----------------|
| 67-130 | 045923675799 | Square | .8W   | .007/.003A               | 210lm  | No             |
| 67-131 | 045923675805 | Square | 1W    | .008/.004A               | 210lm  | Yes            |
| 67-138 | 045923670282 | Round  | .8W   | .007/.003A               | 200lm  | No             |
| 67-139 | 045923670299 | Round  | 1W    | .008/.004A               | 210lm  | Yes            |

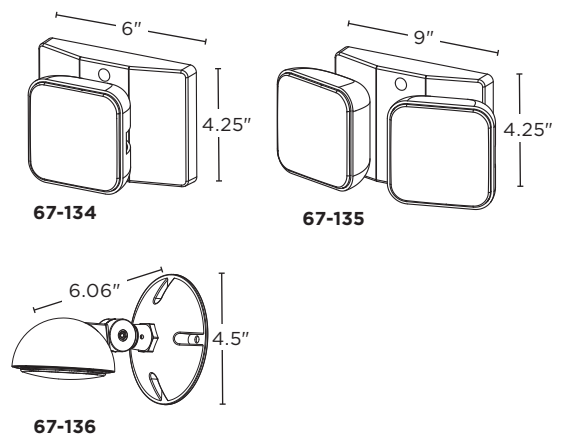
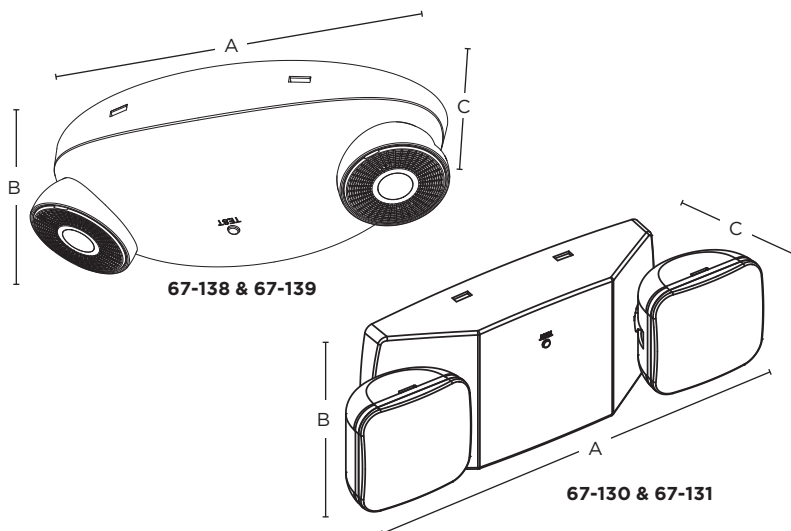
**REMOTE CAPABLE LIGHT HEADS**

| Item   | UPC          | Style          | Watts | Lumens |
|--------|--------------|----------------|-------|--------|
| 67-134 | 045923675836 | Square, Single | .75W  | 60lm   |
| 67-135 | 045923675843 | Square, Double | 1.5W  | 120lm  |
| 67-136 | 045923675850 | Round, Single  | 1W    | 100lm  |



**DIMENSIONS/WEIGHTS**

| Item   | Width (A) | Height (B) | Depth (C) | Weight (Lbs) |
|--------|-----------|------------|-----------|--------------|
| 67-130 | 12.50"    | 4.50"      | 2.88"     | 1.07         |
| 67-131 | 12.50"    | 4.50"      | 2.88"     | 1.19         |
| 67-138 | 8.25"     | 4.06"      | 2.38"     | .72          |
| 67-139 | 8.25"     | 4.06"      | 2.38"     | .86          |



This device complies with Part 15 of the FCC Rules. Operation is subject to the following two conditions: (1) this device may not cause harmful interference, and (2) this device must accept any interference received, including interference that may cause undesired operation.

WARNING: Some products included in this specification sheet may be subject to the warning requirements of California's Proposition 65. Please refer to your product packaging for more information.

Specifications are subject to change without prior notice. Visit [satco.com/service/warranty](http://satco.com/service/warranty) for complete 2 year warranty details.