

# LED EDGE-LIT EXIT SIGN

## SURFACE MOUNT



**GREEN OR RED LETTERING**

**MIRRORED DUAL FACE OR  
CLEAR SINGLE FACE**

**CONFIGURABLE ARROWS**

**CEILING, WALL OR  
SIDE MOUNTING,  
ACCESSORIES INCLUDED**

**SLEEK BRUSHED  
ALUMINUM HOUSING**

**90 MINUTE BATTERY BACKUP  
RUN TIME**

**TEST SWITCH AND  
AC SUPPLY INDICATOR**

**SUGGESTED APPLICATIONS**

Commercial & Industrial,  
Garages, Retail,  
Schools, Hospitals

Introducing SATCO|NUVO's LED Surface Mount Edge-Lit Exit Signs - the perfect solution for your commercial, hospitality and multi-family spaces. Available in four different configurations, these signs are designed with a sleek, brushed aluminum housing and offer configurable arrows. Ceiling, wall and side mounting options, and a push-to-test button with an AC supply indicator. With a 90-minute battery backup run time, you can trust these signs to keep your space illuminated in the event of a power outage or emergency. Choose from single face clear or double face mirrored acrylic, with red or green lettering options to fit your specific needs. The surface mount style provides an easy installation process, and the versatility of these signs makes them suitable for a range of applications. OSHA and NFPA compliant, don't compromise on safety - upgrade to SATCO|NUVO's LED Edge-Lit Exit Signs today.



**GENERAL SPECIFICATIONS**

**Input Voltage, Frequency:** 120/277V, 60Hz  
**Emergency Backup:** Yes  
**Emergency Duration/Run Time:** 90 Minutes  
**Recharge Time:** 24 Hours  
**Battery Push to Test Button:** Yes  
**Battery Type:** Ni-Cad 4.8V  
**Letter Height:** 6"  
**Letter Stroke:** 3/4"

**Recycle Time:** >500  
**Construction:** Brushed Aluminum  
**Mounting Options:** Universal: Wall, Ceiling and Side  
**Mounting Type:** Surface  
**Location Rating:** Damp  
**Ambient Operating Temperature:** 10°C (50°F) to 40°C (104°F)  
**Warranty:** 2 Years

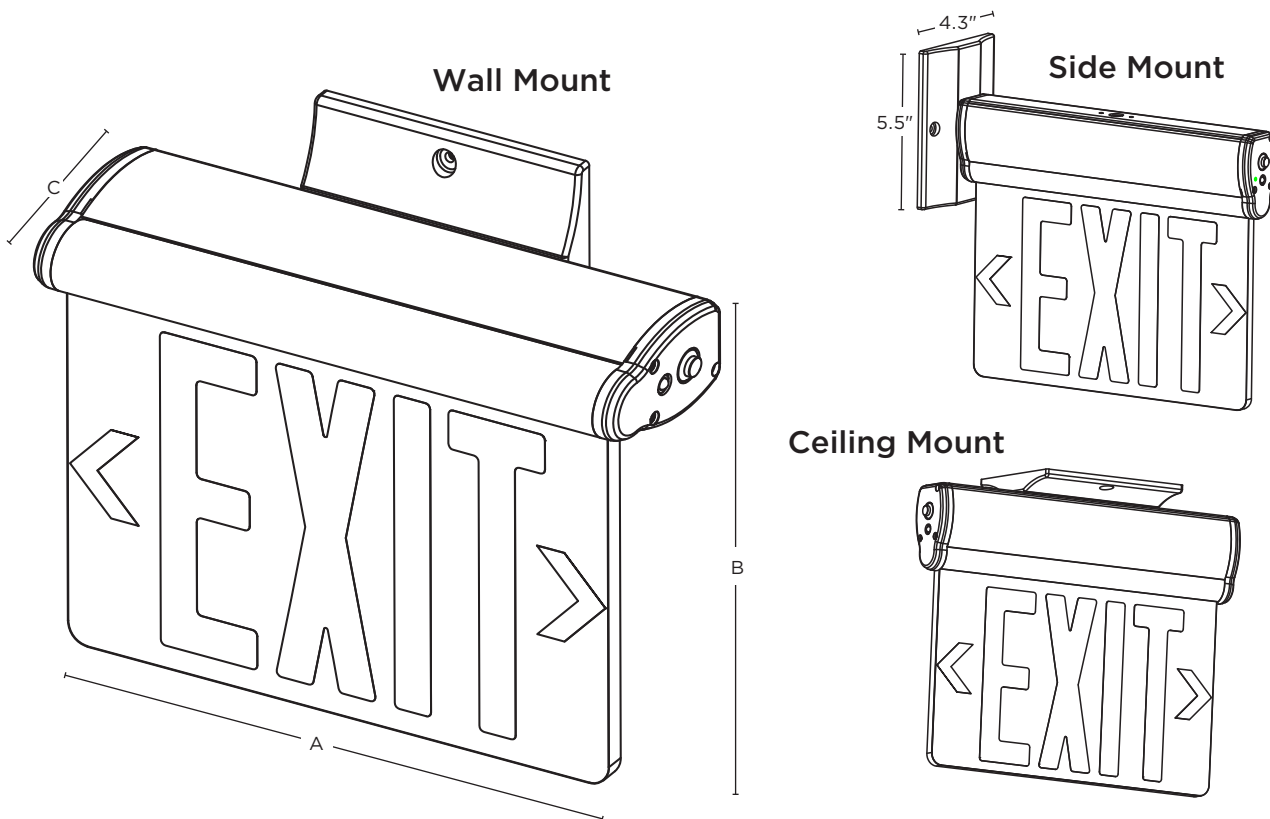


**ITEM SPECIFICATIONS/ORDER INFO**

Item	UPC	Watts	Input Current @120V/277V	Letter Color	Face Type	Finish/Color
67-110	045923675706	2.94W	.025/.011A	Green	Dual	Mirrored
67-111	045923675713	3.14W	.025/.011A	Red	Dual	Mirrored
67-112	045923675720	2.94W	.026/.011A	Green	Single	Clear
67-113	045923675737	3.14W	.026/.011A	Red	Single	Clear

**DIMENSIONS/WEIGHTS**

Item	Width (A)	Height (B)	Depth (C)	Weight (Lbs)
67-110	12.06"	9.69"	1.81"	2.76
67-111	12.06"	9.69"	1.81"	2.76
67-112	12.06"	9.69"	1.81"	2.76
67-113	12.06"	9.69"	1.81"	2.76



This device complies with Part 15 of the FCC Rules. Operation is subject to the following two conditions: (1) this device may not cause harmful interference, and (2) this device must accept any interference received, including interference that may cause undesired operation.

WARNING: Some products included in this specification sheet may be subject to the warning requirements of California's Proposition 65. Please refer to your product packaging for more information.

Specifications are subject to change without prior notice. Visit [satco.com/service/warranty](http://satco.com/service/warranty) for complete 2 year warranty details.