



Directional, high lumen, wattage selectable HID replacement

**Features**

- Wattage selectable
- Replaces HID lamps
- Greater efficiency
- Reduced size
- Neck design fits most fixtures
- Advanced internal thermal management
- Wide, 120° beam angle
- Light weight
- Damp location
- 5 Year warranty

Suggested Applications

- Warehouses
- Cold Storage
- Parking Garages
- Assembly Areas

Our new high bay/low bay LED lamps offer improved performance on every level and are now power selectable to cover a wider range of applications. Replace 175 to 600 Watt HID technologies using just 60 to 150 Watts of efficient, superior LED light.

The redesigned compact shape expands fixture compatibility options, and advanced heat dissipation design featuring convection cooling means a cooler running, longer lasting lamp. Commercial venues everywhere have been relying on these fixtures for years — warehouses, gymnasiums, health clubs, factories and arenas, for example — everywhere superior light output is critical and reducing maintenance is important.



PowerQuick™
Wattage Selectable

GENERAL SPECIFICATIONS:

Input Voltage, Frequency: 100-277V/50/60Hz
Lamp Type: Type B
Surge Protection: 4KV
MOL: MOL Changes by Wattage
MOD: 5.51"
Location Rating Damp
CRI: 80+ CRI
CCT: 4000K and 5000K
Lumens: Wattage Specific
Base: EX39 Mogul
Ambient Operating Temp: -13°F to 122°F
Beam Angle: 120°
Rated Life: 50,000 Hrs
Construction: Aluminum/Plastic



Power Selectable Switch

WATTAGE AND LUMENS:

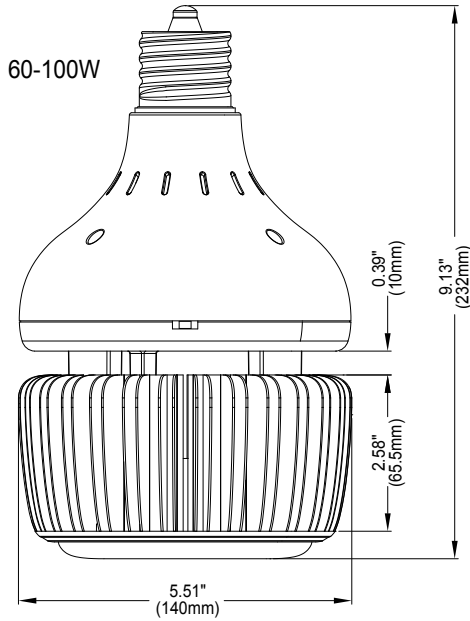
	100W	80W	60W
S33112/S33113			
HID Equivalent:	320W	250W	175W
Lumens:	14000	11220	8400
S33114/S33115			
HID Equivalent:	400W	320W	250W
Lumens:	18200	14000	11200
S33116/S33117			
HID Equivalent:	600W	400W	320W
Lumens:	21000	16800	14000



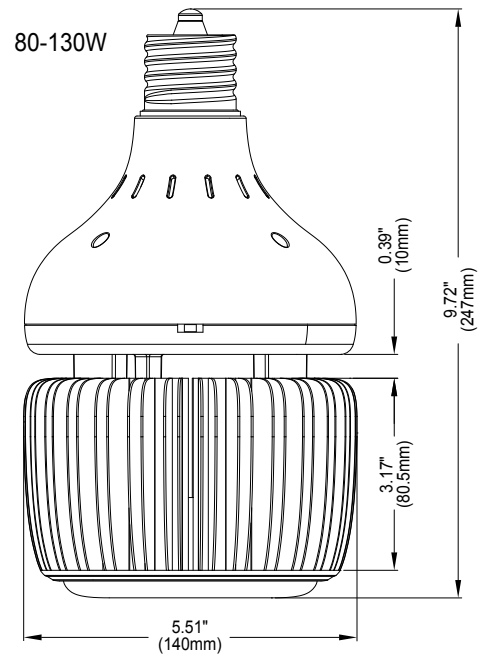
ITEM	DESCRIPTION	WATTS	VOLTAGE	*LUMENS	CCT	UPC	PK
S33112	100W/LED/HID-HB/4K	100/80/60	100-277	14000	4000K	045923331121	6-PACK
S33113	100W/LED/HID-HB/5K	100/80/60	100-277	14000	5000K	045923331138	6-PACK
S33114	130W/LED/HID-HB/4K	130/100/80	100-277	18200	4000K	045923331145	6-PACK
S33115	130W/LED/HID-HB/5K	130/100/80	100-277	18200	5000K	045923331152	6-PACK
S33116	150W/LED/HID-HB/4K	150/120/100	100-277	21000	4000K	045923331169	6-PACK
S33117	150W/LED/HID-HB/5K	150/120/100	100-277	21000	5000K	045923331176	6-PACK

*At highest wattage

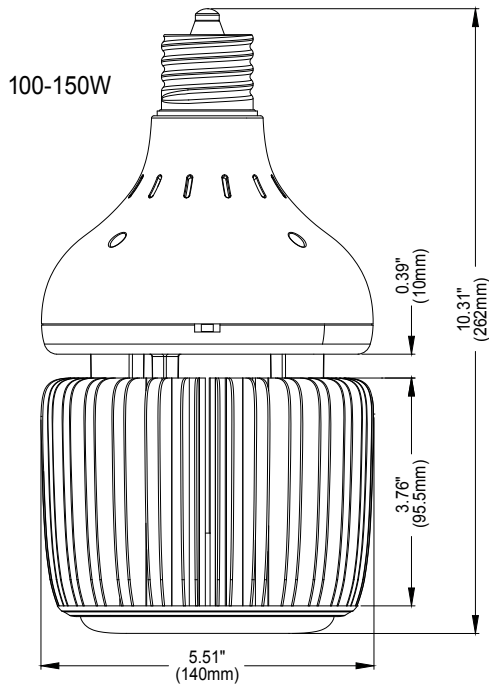
S33112 - S33113



S33114 - S33115



S33116 - S33117



SATCO DISTRIBUTION CENTERS

NEW YORK (HQ)
110 HEARTLAND BLVD
BRENTWOOD, NY 11717
T. 631-243-2022
F. 631-243-2027

TEXAS
2000 VALWOOD PKWY
FARMERS BRANCH, TX 75234
T. 972-247-2437
F. 972-247-5408

FLORIDA
1694 NW 215TH ST
MIAMI GARDENS, FL 33056
T. 305-624-2044
F. 305-623-0286

CALIFORNIA
31288 SAN BENITO ST
HAYWARD, CA 94544
T. 510-487-4822
F. 510-487-8955

WASHINGTON
4710 116TH ST SW
MUKILTEO, WA 98275
T. 425-789-3300
F. 425-789-3310

PUERTO RICO
CAMPECHE STREET, 23
JULIO N. MATOS INDUSTRIAL PARK
CAROLINA, PR 00984
T. 787-757-3510
F. 787-757-3540

For international sales, contact: internationalsales@satco.com / 631-243-2022 Ext. 315