

# LED ARCHITECTURAL DOWNLIGHTS

DIRECTIONAL | REMOTE DRIVER



5 CCT SELECTABLE

90 CRI FOR EXCEPTIONAL  
COLOR RENDERING

OFFERED IN 3.5" AND 4"  
ROUND AND SQUARE MODELS

WHITE, BLACK AND BRUSHED  
NICKEL FINISHES AVAILABLE

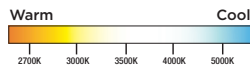
REMOTE J-BOX

**SUGGESTED APPLICATIONS**

Retail, Museums,  
Restaurants, Residential



**ColorQuick**<sup>®</sup>  
Selectable Color Technology



SATCO|NUVO's LED Directional Architectural Downlights are made to offer focused illumination. With 360° rotation and 30° tilt, lighting can be installed to highlight artwork, entryways, or aimed to create the perfect reading nook. Install as a standard downlight to keep a consistent look throughout the space. Three contemporary housing finishes are guaranteed to accentuate any aesthetic from retail to living rooms with crisp, quality lighting.



**GENERAL SPECIFICATIONS**

**Input Voltage, Frequency:** 120V, 60Hz  
**Power Factor:** >0.9  
**Dimmable:** Phase-Cut dimmable down to 20%  
**Wattage:** 12W  
**Incandescent Replacement Wattage:** 75W  
**Input Current:** 0.10A  
**Efficacy:** Up to 70 LPW  
**CCT:** 2700K/3000K/3500K/4000K/5000K  
**CRI:** 90  
**Functional Life:** 50,000 Hours

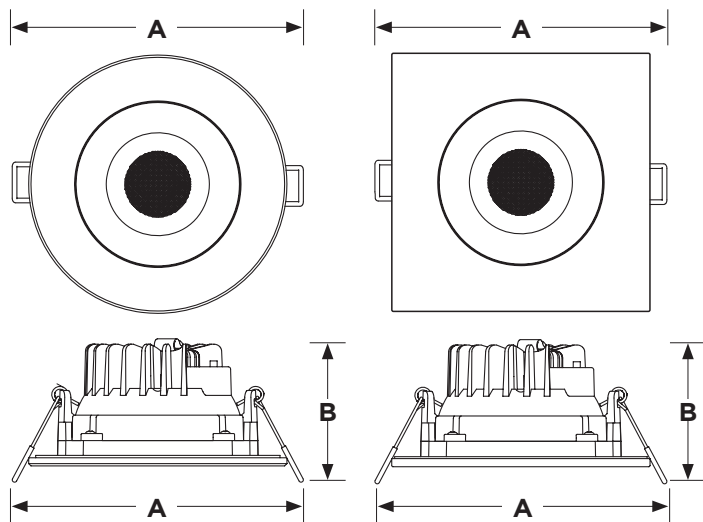
**Beam Angle:** 40°  
**Rotation:** 360°  
**Tilt:** 30°  
**Location Rating:** Wet  
**Ambient Operating Temperature:** 20°C (-4F°) to +45°C (+113°F)  
**Suitable for Bathroom Applications:** Yes  
**IC Rated:** Yes  
**AT Rated:** Yes  
**Trim Construction:** Aluminum  
**Lens Construction:** PMMA



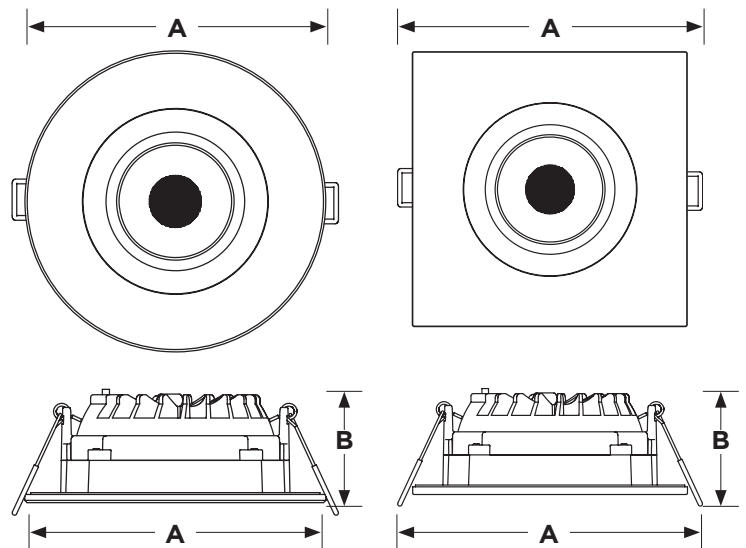
**ITEM SPECIFICATIONS / ORDER INFO**

Item	Size	Shape	Finish	Lumens	A - Diameter or Width	B - Height	Weight
S11618R1	4"	Round	White	850	5.04"	2.00"	1.11 Lbs.
S11619R1	4"	Round	Black	850	5.04"	2.00"	1.11 Lbs.
S11620R1	4"	Round	Brushed Nickel	850	5.04"	2.00"	1.11 Lbs.
S11621R1	4"	Square	White	850	4.92"	2.00"	1.16 Lbs.
S11622R1	4"	Square	Black	850	4.92"	2.00"	1.16 Lbs.
S11623R1	4"	Square	Brushed Nickel	850	4.92"	2.00"	1.16 Lbs.
S11624R1	3.5"	Round	White	840	4.38"	2.10"	0.98 Lbs.
S11625R1	3.5"	Round	Black	840	4.38"	2.10"	0.98 Lbs.
S11626R1	3.5"	Round	Brushed Nickel	840	4.38"	2.10"	0.98 Lbs.
S11627R1	3.5"	Square	White	840	4.38"	2.10"	1.01 Lbs.
S11628R1	3.5"	Square	Black	840	4.38"	2.10"	1.01 Lbs.
S11629R1	3.5"	Square	Brushed Nickel	840	4.38"	2.10"	1.01 Lbs.

**3.5" MODELS**



**4" MODELS**



This device complies with Part 15 of the FCC Rules. Operation is subject to the following two conditions: (1) this device may not cause harmful interference, and (2) this device must accept any interference received, including interference that may cause undesired operation. Fixture may not be compatible with all dimmers.

Replacement wattage shown depends on application and fixture. Specifications are subject to change without prior notice.

**PHOTOMETRICS**

**SATCO Item: S11624R1 - S11629R1**

Description: 12W/DW/GBL/3.5/CCT/RND/RD/WH  
ColorQuick Setting: 2700K  
841 LM, 12.0 W, 70 LPW  
Beam Angle: 43°  
Field Angle: 94°  
Spacing Criteria (0°-180°): 0.66  
Spacing Criteria (90°-270°): 0.66

Zonal Lumens		
Zone	Lumens	%Luminaire
0-30°	500	30.1%
0-40°	658	40.2%
0-60°	813	40.2%
0-90°	840	100.0%
90-180°	1	0.0%
0-180°	841	100.0%

Lumen Multiplier				
2700K	3000K	3500K	4000K	5000K
1.00	1.00	1.00	1.00	1.00

**Candela Polar Plot**

**Illumination at Distance**

Distance	Center Beam	Beam Spread
4ft	68fc	3.1ft
6ft	30fc	4.7ft
8ft	17fc	6.2ft
10ft	11fc	7.8ft
12ft	7fc	9.4ft

**SATCO Item: S11618R1 - S11622R1**

Description: 12W/DW/GBL/4/CCT/RND/RD/WH  
ColorQuick Setting: 2700K  
833 LM, 12.0 W, 69 LPW  
Beam Angle: 41°  
Field Angle: 74°  
Spacing Criteria (0°-180°): 0.65  
Spacing Criteria (90°-270°): 0.65

Zonal Lumens		
Zone	Lumens	%Luminaire
0-30°	645	30.1%
0-40°	765	40.2%
0-60°	822	40.2%
0-90°	831	100.0%
90-180°	2	0.0%
0-180°	833	100.0%

Lumen Multiplier				
2700K	3000K	3500K	4000K	5000K
1.00	1.00	1.00	1.00	1.00

**Candela Polar Plot**

**Illumination at Distance**

Distance	Center Beam	Beam Spread
4ft	93fc	3.0ft
6ft	41fc	4.5ft
8ft	23fc	6.0ft
10ft	15fc	7.5ft
12ft	10fc	9.0ft