

# 5" / 6" RETROFIT DOWNLIGHT

HIGH LUMEN | SMOOTH BAFFLE



E26 Adapter  
Included



CCT SELECTABLE

HIGH LUMEN OUTPUT  
90 CRI FOR HIGH QUALITY  
LIGHTING

ROUND 5" / 6" DOWNLIGHT WITH  
SMOOTH BAFFLE , WHITE TRIM

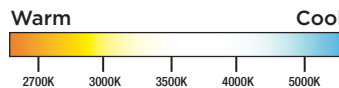
LED READY QUICK CONNECT  
E26 ADAPTER INCLUDED

SUGGESTED APPLICATIONS  
Offices, Retail,  
Hotels, Residential



**ColorQuick®**

Selectable Color Technology



Elevate your lighting with SATCO|NUVO's CCT Selectable, 5-6" High Lumen Retrofit Downlight. Designed with impeccable 90 CRI color rendering, make your space brighter while saving energy with this 1,100 high lumen LED downlight. This retrofit includes an E26 adapter making it the perfect upgrade to replace existing screw base lamps in downlight applications or purchase an optional GU24 socket adapter for use with pin-based fixtures. Featuring a smooth baffle design and your choice of five CCT options at installation, this retrofit downlight will illuminate all of your spaces with ease and elegance.



**GENERAL SPECIFICATIONS**

**Input Voltage, Frequency:** 120V, 60Hz  
**Power Factor:** 0.9  
**Dimming:** Phase-Cut Dimmable Down to 10%  
**Efficacy:** Up to 88 LPW  
**CRI:** 90  
**Beam Angle:** 100°  
**Functional Life:** 50,000 Hours  
**IC Rated:** Yes  
**Airtight Rated:** Yes

**Location Rating:** Wet  
**Ambient Operating Temperature:** -20°C (-4°F) to +40°C (+104°F)  
**Material:** Aluminum  
**Lens Material:** Polycarbonate  
**Shape:** Round  
**Trim:** Smooth Baffle  
**Weight:** 0.60lbs

**ITEM SPECIFICATIONS / ORDER INFO**

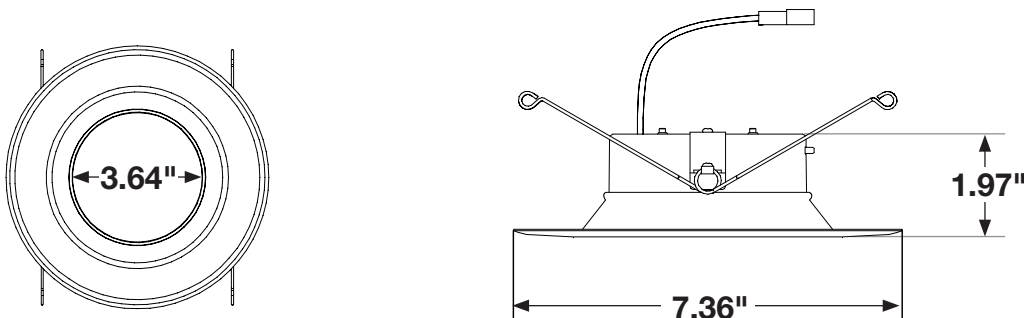


Item	CCT	Lumens	Wattage	Incandescent Replacement Wattage	Input Current	Case Qty
S11646	2700K/3000K/3500K/4000K/5000K	1,100	12.5W	75W	0.10A	12

**ACCESSORIES (SOLD SEPARATELY)**

Item	Description	Image
80-982	5" Can For New Construction	
80-983	5" Can For Remodel	
S8999	GU24 Socket Adaptor for Recessed Downlight	

**5" / 6" ROUND MODEL S11646**



**PHOTOMETRICS**

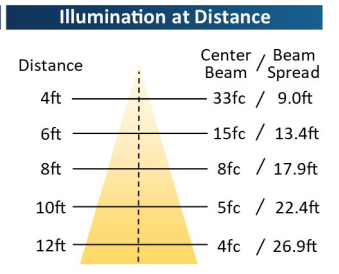
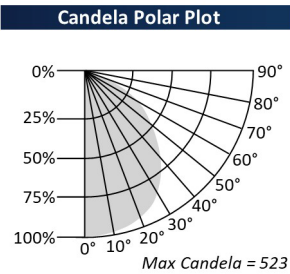
**SATCO Item: S11646**

Description: 12.5WLED/DLR/5-6/CCT-SEL/RD/WH  
 ColorQuick Setting: 2700K  
 1157 LM, 12.5 W, 93 LPW  
 Beam Angle: 96°  
 Field Angle: 146°  
 Spacing Criteria (0°-180°): 1.23  
 Spacing Criteria (90°-270°): 1.22

Zonal Lumens		
Zone	Lumens	%Luminaire
0-30°	397	34.3%
0-40°	635	54.9%
0-60°	1017	88.0%
0-90°	1154	99.8%
90-180°	3	0.2%
0-180°	1157	100.0%

Lumen Multiplier				
2700K	3000K	3500K	4000K	5000K
1.00	1.04	1.06	1.10	1.05



**FEATURES**



**LED Quick Connect**



**CCT Selectable Switch**



**Torsion Springs**