

LED TRACK HEAD LIGHTING

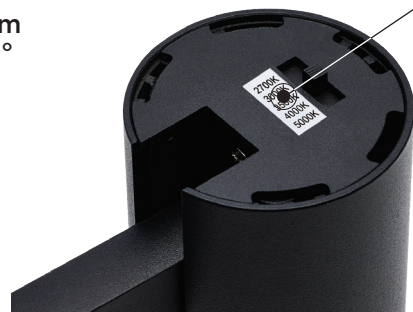
BEAM ADJUSTABLE | CCT SELECTABLE



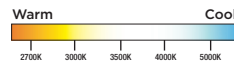
Adjustable Beam Spread 20°-50°



CCT Selectable Switch



ColorQuick
Selectable Color Technology



BEAM ADJUSTABLE FROM
20° TO 50°

5 CCT SELECTABLE

90 CRI HIGH QUALITY LIGHT

SATCO H-TRACK COMPATIBLE

CONTEMPORARY DESIGN

SUGGESTED APPLICATIONS:

Commercial, Residential,
Retail, Hospitality,
Accent Lighting

SATCO|NUVO's beam adjustable LED track head fixtures bring both functionality and style to your lighting projects. These fixtures are CCT selectable, allowing users to choose from five different color temperature options. With an impressive CRI rating of 90, they produce crisp, true-to-life white light. The track heads offer precise beam control, with a 90° adjustable head and a beam range from 20° to 50°, making them ideal for a variety of settings such as museums, art galleries, retail stores, offices, and restaurants. Compatible with SATCO H-Track systems and a variety of accessories (sold separately), these fixtures are versatile enough to meet any lighting need. Available in matte black or matte white finishes and in 15 or 30 watts, these track heads will enhance any space with both beauty and efficiency.



GENERAL SPECIFICATIONS

Input Voltage, Frequency: 120V, 60Hz
Power Factor: >0.9
Efficacy: 70 LPW
CCT Selectable: 2700K/3000K/3500K/4000K/5000K
CRI: 90
Dimmable: Phase-Cut dimmable down to 10%
Beam Angle: Adjustable 20°- 50°

Location Rating: Dry
Ambient Operating Temperature: -20°C (-4°F) to +40°C (+104°F)
Track Type: SATCO H-Track Compatible
Construction: Aluminum/Steel
Lens Material: PMMA
Functional Life: 30,000 Hours
Warranty: 3 Years

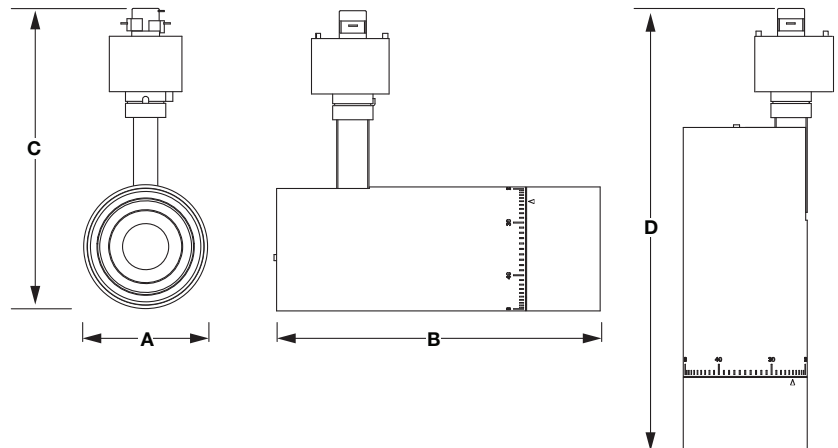
ITEM SPECIFICATIONS / ORDER INFO



Item	Finish	Watts	Lumens	Input Current
TH731	Matte White	15W	1050	0.13A
TH732	Matte Black	15W	1050	0.13A
TH741	Matte White	30W	2100	0.27A
TH742	Matte Black	30W	2100	0.27A

DIMENSIONS/WEIGHTS

Item	Width (A)	Length (B)	Height (C)	Extends (D)	Weight
TH731	2.43"	6.31"	5.88"	8.63"	1.40 Lbs.
TH732	2.43"	6.31"	5.88"	8.63"	1.40 Lbs.
TH741	3.14"	6.94"	6.63"	9.25"	2.04 Lbs.
TH742	3.14"	6.94"	6.63"	9.25"	2.04 Lbs.



OPTIONAL TRACK ADAPTERS

Item	Description	
TP247	Black Single Monopoint, Round, Steel	
TP248	White Single Monopoint, Round, Steel	
TP249	Black Triple Monopoint, Round, Steel	
TP250	White Triple Monopoint, Round, Steel	
TP142	White, Single Monopoint, Square, Plastic	
TP143	Black, Single Monopoint, Square, Plastic	



Other track accessories available. Scan QR code for details.

This device complies with Part 15 of the FCC Rules. Operation is subject to the following two conditions: (1) this device may not cause harmful interference, and (2) this device must accept any interference received, including interference that may cause undesired operation.

WARNING: Some products included in this specification sheet may be subject to the warning requirements of California's Proposition 65. Please refer to your product packaging for more information.

Fixture may not be compatible with all dimmers.

Specifications are subject to change without notice.

Visit Satco.com/service/warranty for complete warranty details.