

SECURITY FLOOD LIGHTS

CCT SELECTABLE | VARIABLE WATTAGE



FULLY ARTICULATING HEADS

INTEGRATED SENTRY LIGHT*

ADJUSTABLE PHOTOCELL SENSITIVITY

ADJUSTABLE MOTION SENSOR SENSITIVITY*

3 CCT SELECTABLE

ADJUSTABLE BRIGHTNESS LEVELS

SUGGESTED APPLICATIONS

Walkways, Driveways,
Garages, Sheds, Patios



MODEL: 65-995



MODEL: 65-998



Integrated Motion Sensor and Sentry Light

SATCO|NUVO's field selectable dual head LED security flood lights set a new standard for reliable and versatile safety lighting. Ideal for both residential and commercial applications, these fixtures can be mounted on walls or eaves to illuminate critical areas. All models come with dusk-to-dawn photocells and allow users to adjust color temperature (soft to natural white) and brightness (17 to 25 watts). Select models feature a PIR motion sensor with integrated Sentry light with a 180° detection range and can be manually overridden at the switch. Adjustments can be made to detection range, lux and standby time. These fixtures deliver comprehensive security lighting with style and efficiency.

*Available on 65-997 & 65-998



GENERAL SPECIFICATIONS

Input Voltage, Frequency: 120V, 50/60Hz
Power Factor: >0.9
THD: >20%
Input Current: 0.14/0.21A
Surge Protection Rating: 2kV
Integrated Photocell: Dusk to Dawn
Efficacy: Up to 138 LPW
CRI: 80+
Beam Angle: 103°

Location Rating: Wet
IP Rating: IP65
Ambient Operating Temperature: -30°C (-22°F) to +50°C (+122°F)
Mounting Options: Wall or Eave Mount
Material: Die-cast Aluminum
Lens Material: Polycarbonate
Functional Life: 50,000 Hours
Warranty: 5 Years



ITEM SPECIFICATIONS / ORDER INFO

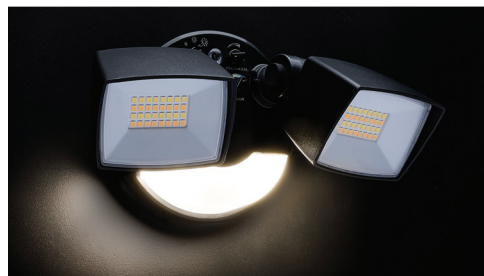
Item	Finish	Wattage Variable	Lumen Output	CCT Selectable
65-995	White	17W to 25W	2190L to 3352L	3000K/4000K/5000K
65-996	Black	17W to 25W	2190L to 3352L	3000K/4000K/5000K
65-997	White	17W to 25W	2190L to 3352L	3000K/4000K/5000K
65-998	Black	17W to 25W	2190L to 3352L	3000K/4000K/5000K

FEATURES

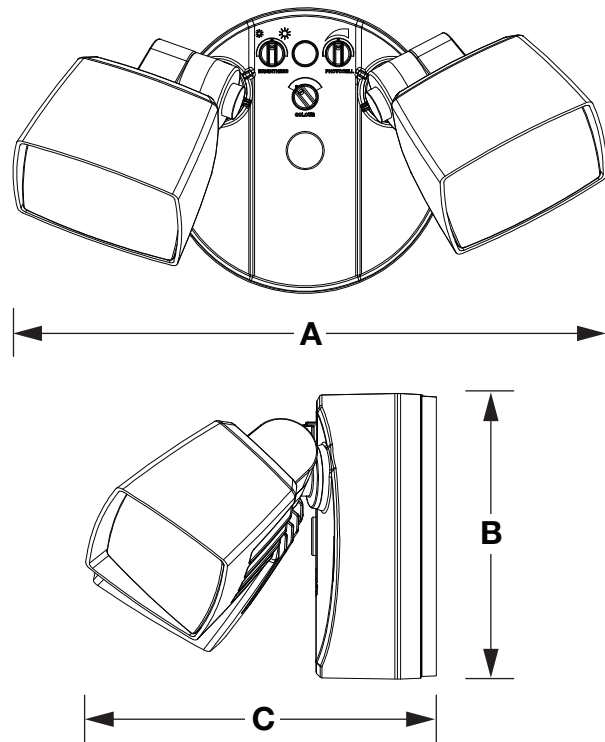
Item	Fully Articulating Heads	Adjustable Photocell Sensitivity	3-CCT Color Selectable	Variable Wattage/Brightness	PIR Sensor with Sentry Light	Tunable Motion Sensor Timeout	Tunable Motion Sensor Detection Range
65-995	✓	✓	✓	✓			
65-996	✓	✓	✓	✓			
65-997	✓	✓	✓	✓	✓	✓	✓
65-998	✓	✓	✓	✓	✓	✓	✓

DIMENSIONS/WEIGHTS

Item	Width (A)	Height (B)	Extends (C)	Weight
65-995	9.17"	4.41"	5.43"	1.25 Lbs.
65-996	9.17"	4.41"	5.43"	1.25 Lbs.
65-997	9.17"	4.41"	5.43"	1.33 Lbs.
65-998	9.17"	4.41"	5.43"	1.33 Lbs.



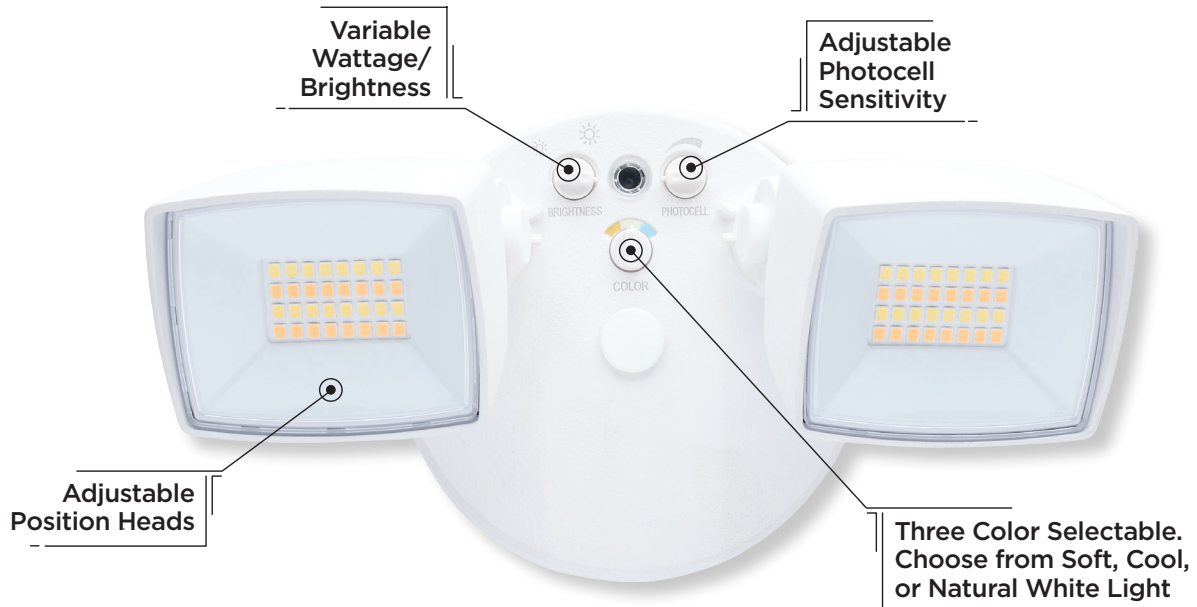
The sentry light can be set to stay on, providing an accent light even when no motion is detected to activate the dual heads. Sentry Lights Specs: 4000K, 108L @ 3W.



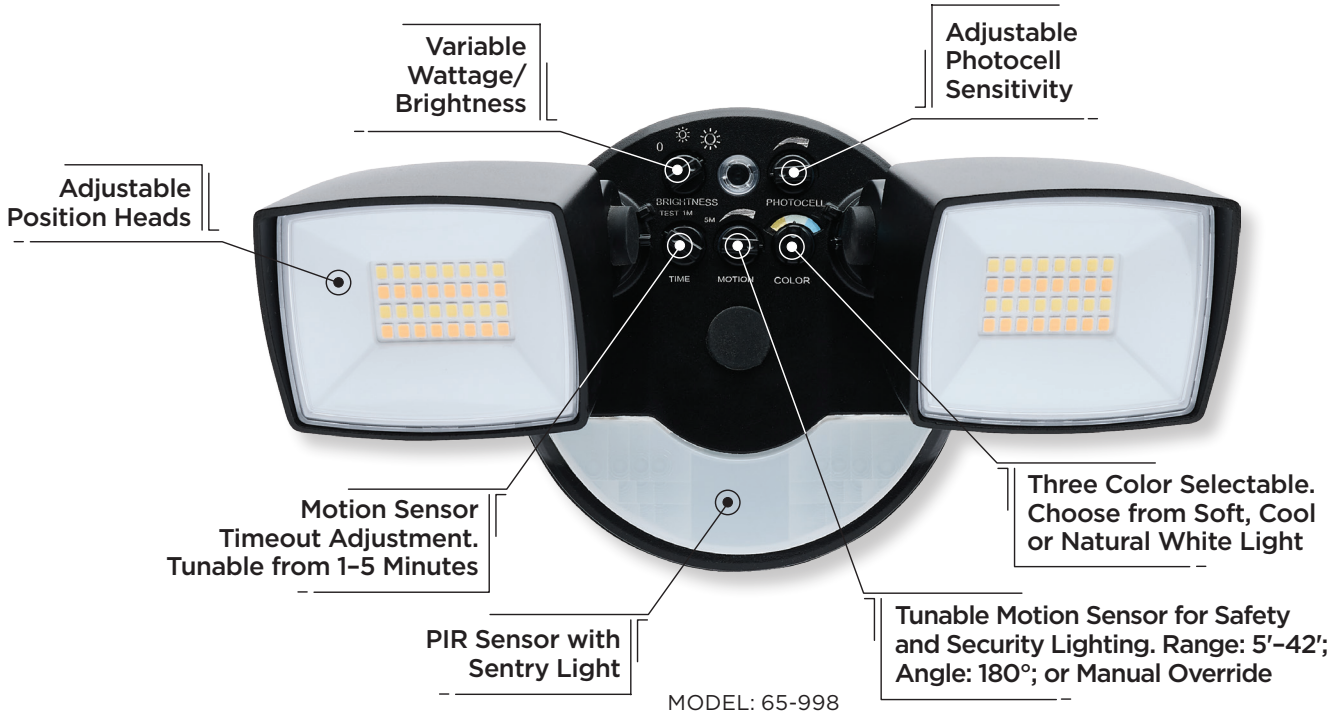
This device complies with Part 15 of the FCC Rules. Operation is subject to the following two conditions: (1) this device may not cause harmful interference, and (2) this device must accept any interference received, including interference that may cause undesired operation.

WARNING: Some products included in this specification sheet may be subject to the warning requirements of California's Proposition 65. Please refer to your product packaging for more information. Specifications are subject to change without notice.

Visit Satco.com/service/warranty for complete warranty details.



MODEL: 65-995



MODEL: 65-998