

LED MINI WALL PACK-TURTLE SAFE

4000K/AMBER | INTEGRATED BY-PASSABLE PHOTOCELL



SWITCH BETWEEN 4000K
AND AMBER LIGHT

INTEGRATED BY-PASSABLE
PHOTOCELL

BLACK AND WHITE FINISHES

ADA COMPLIANT

SUGGESTED APPLICATIONS

Boardwalk
Coastal Hotel
Entryway



65-888



65-889

Introducing SATCO|NUVO's turtle-friendly, small-footprint wall packs, available in white and black finishes. Designed for coastal areas near turtle breeding grounds, these fixtures feature a die-cast aluminum frame, and an IK06-rated polycarbonate cover for durability. Operating at 20W with a 120V-277V voltage range, they include a concealed push-button switch—accessed via a gasketed ½” knockout—for seamless switching between 4000K white light and 590-nanometer amber light for spawning seasons to comply with local ordinances and codes. An integrated by-passable photocell enhances energy efficiency, while 2.5kV surge protection ensures lasting performance. Style, features, durability, and effortless code compliance between seasons is at the heart of the design of these wall packs.



GENERAL SPECIFICATIONS

Range Voltage: 120V-277V

Frequency: 50/60Hz

Power Factor: 0.99

THD: >20%

Dimmable: 0-10V Dimming

Surge Protection Rating: 2.5kV

Photocells Included: By-Passable

Efficacy: Up to 124 LPW

CRI: >80

Input Current: 0.17-0.07A

Beam Angle: 90°

Location Rating: Wet

IP Rating: IP65

Ambient Operating Temperature: -40°C (-40°F) to +50°C (+122°F)

Housing/Lens Material: Die-Cast Aluminum/Polycarbonate

Lens Finish: Prismatic

Functional Life: 50,000 Hours

Warranty: 5 Years

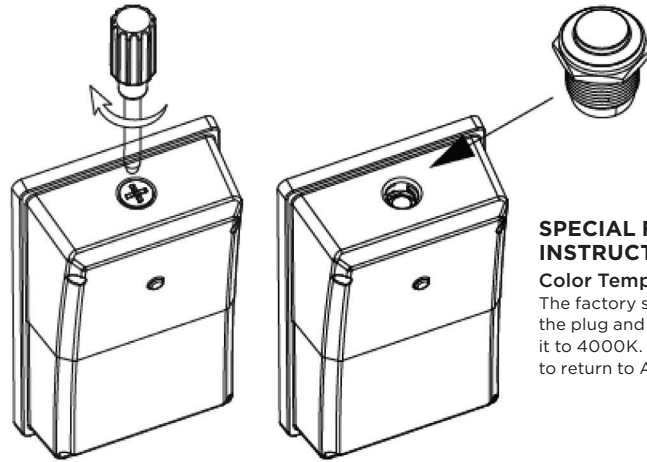
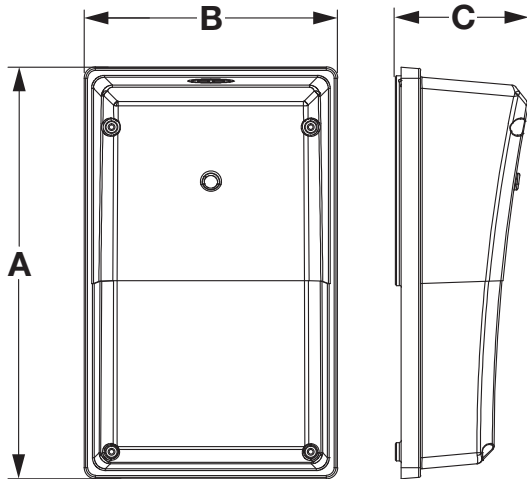


ITEM SPECIFICATIONS / ORDER INFO

Item	Finish	Wattage	Incandescent Wattage	White Light Lumens	White Light CCT	Amber Light Lumens	Nanometers
65-888	Black	20W	100W	2493	4000K	344	590
65-889	White	20W	100W	2493	4000K	344	590

DIMENSIONS / WEIGHTS

Item	Height (A)	Width (B)	Extends (C)	Weight
65-888	8.70"	5.35"	2.79"	1.25 Lbs
65-889	8.70"	5.35"	2.79"	1.25 Lbs



SPECIAL FUNCTION INSTRUCTIONS

Color Temperature Adjustable
The factory setting is Amber. Open the plug and press the button to turn it to 4000K. Press the button again to return to Amber.



Amber/White Light Push Button



Die-Cast Aluminum Body with Polycarbonate Cover



Integrated By-Passable Photocell



IK06 Prismatic Lens

This device complies with Part 15 of the FCC Rules. Operation is subject to the following two conditions: (1) this device may not cause harmful interference, and (2) this device must accept any interference received, including interference that may cause undesired operation.

CAN ICES-005 (A) Meets requirements of ICES-005 issue 5 class A for use in commercial applications.

Lamps may not be compatible with all dimmers. See satco.com for details.

WARNING: Some products included in this specification sheet may be subject to the warning requirements of California's Proposition 65.

Please refer to your product packaging for more information.

Replacement wattage shown depends on application and fixture.

Specifications are subject to change without prior notice.

Visit satco.com/service/warranty for complete warranty details.